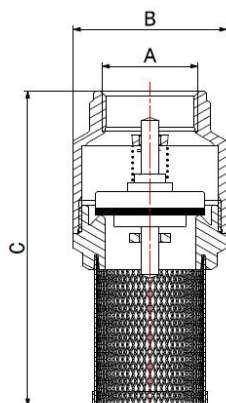
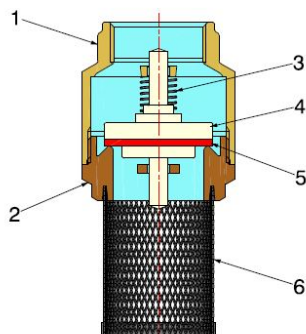


CHECK VALVES

**LOIRA WITH STRAINER**

1030



- Loira check valve with strainer
- Female thread ISO 228
- Strainer with hole of 1200 micron
- Temperature range min 0°C - max +90°C

Valve properly used when it performs a non-return function for fluids that are generally non-corrosive, compatibly with the valve materials. Plumbing, heating, industrial, agricultural and pneumatic sectors are the ideal fields of application.

The flow direction is indicated by an arrow on the valve body, while the installation can be in any position.

The seat tightness is guaranteed by a NBR seal.



**COMPONENTS**

POS.	PART NAME	N°	MATERIAL
1	Body	1	CW617N UNI-EN 12165
2	End connection	1	Nylon
3	Spring	1	AISI 302 stainless steel
4	Valve	1	Nylon
5	Gasket	1	NBR
6	Filter	1	AISI 304 stainless steel

**DIMENSIONS**

DN	A	B	C	PN
10	3/8"	34	70	10
15	1/2"	34	81	10
20	3/4"	42	87	10
25	1"	48	97	10
32	1.1/4"	60	110	8
40	1.1/2"	69	125	8
50	2"	85	145	8
65	2.1/2"	102	165	6
80	3"	125	185	6
100	4"	154	215	6

**PACKAGING**

	3/8"	1/2"	3/4"	1"	1.1/4"	1.1/2"	2"	2.1/2"	3"	4"
<b>CODE</b>	<b>10300003</b>	<b>10300004</b>	<b>10300006</b>	<b>10300008</b>	<b>10300010</b>	<b>10300011</b>	<b>10300013</b>	<b>10300015</b>	<b>10300017</b>	<b>10300019</b>
PCS BOX	25	25	15	12	6	4	2	-	-	-
PCS CARTON	250	250	150	120	60	40	20	20	15	10