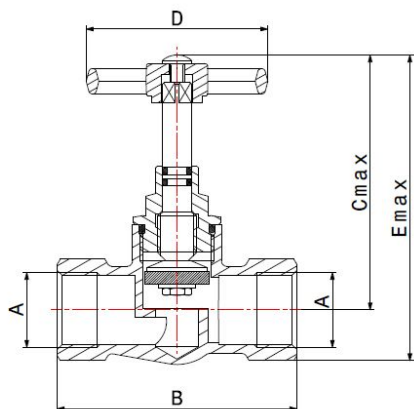
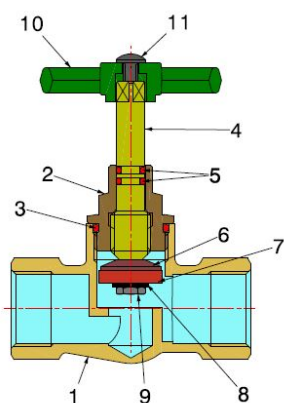
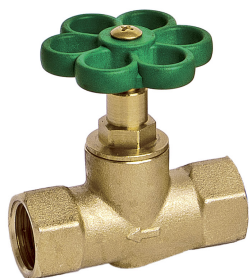


ANGLE-SEAT VALVE

STOP VALVE

3290A



- F/F stop valve
- Female thread ISO 228 (1/2"-3/4"-1")
- Female Thread EN10226-1 (1.1/4"-1.1/2"-2")
- Temperature range min 0°C - max +95°C

Valve suitable for distributing and interrupting fluids that are generally non-corrosive, compatibly with the valve materials. Plumbing and heating systems are the ideal field of application. The seat tightness is guaranteed by a EPDM PEROX seal, approved by KTW.

COMPONENTS

POS.	PART NAME	N°	MATERIAL
1	Body	1	CW617N UNI-EN 12165 (1/2"-3/4"-1") - CC754S EN1982 (1.1/4"-1.1/2"-2")
2	Upper part body	1	CW617N UNI-EN 12164 (1/2"-3/4"-1") - CW617N UNI-EN 12165 (1.1/4"-1.1/2"-2")
3	O-Ring	1	KTW approved EPDM Perox
4	Upper part stem	1	CW617N UNI-EN 12164
5	O-Ring	2	KTW approved EPDM Perox
6	Hose-end disc	1	CW617N UNI-EN 12164 (1/2"-3/4"-1") - CW617N UNI-EN 12165 (1.1/4"-1.1/2"-2")
7	Gasket	1	KTW approved EPDM Perox
8	Washer	1	CW508L UNI-EN 1652
9	Nut	1	CW617N UNI-EN 12164
10	Handwheel	1	Plastic
11	Screw	1	CW508L UNI-EN 12166

DIMENSIONS

DN	A	B	C max	D	E max	PN
15	1/2"	66	67	50	81	16
20	3/4"	74	77	50	94	16
25	1"	85	97	55	118	16
32	Rp 1.1/4"	110	130	55	156	16
40	Rp 1.1/2"	120	130	70	160	16
50	Rp 2"	150	169	70	205	16

PACKAGING

	1/2"	3/4"	1"	Rp 1.1/4"	Rp 1.1/2"	Rp 2"
CODE	3290A004	3290A006	3290A008	3290A010	3290A011	3290A013
PCS BOX	-	-	-	-	-	-
PCS CARTON	80	50	50	15	10	10