

STOP VALVES

**ANGLE-SEAT VALVE**

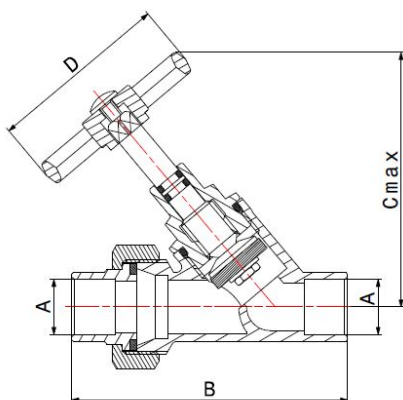
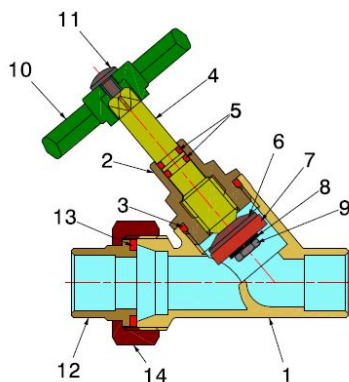
7560



- Angle-seat valve with copper pipe connection
- Temperature range min 0°C - max +95°C

Valve suitable for distributing and interrupting fluids that are generally non-corrosive, compatibly with the valve materials. Plumbing and heating systems and industrial sector are the ideal fields of application.

The seat tightness is guaranteed by a NBR seal.



**COMPONENTS**

POS.	PART NAME	N°	MATERIAL
1	Body	1	CW617N UNI-EN 12165
2	Upper part body	1	CW617N UNI-EN 12164 - CW617N UNI-EN 12165
3	O-Ring	1	NBR
4	Upper part stem	1	CW617N UNI-EN 12164
5	O-Ring	2	NBR
6	Hose end disc	1	CW617N UNI-EN 12164 - CW617N UNI-EN 12165
7	Gasket	1	NBR
8	Washer	1	CW508L UNI-EN 1652
9	Nut	1	CW617N UNI-EN 12164
10	Handwheel	1	Plastic
11	Nut	1	CW508L UNI-EN 12166
12	Screw	1	CW617N UNI-EN 12164
13	Gasket	1	NBR
14	Nut	1	CW617N UNI-EN 12165

**DIMENSIONS**

A	B	C max	D	PN
15	76	67	50	16
18	83	67	50	16
22	95	77	50	16
28	112	95	55	16
35	137	114	55	16

**PACKAGING**

	15	18	22	28	35
<b>CODE</b>	<b>75600066</b>	<b>75600068</b>	<b>75600069</b>	<b>75600070</b>	<b>75600071</b>
PCS BOX	-	-	-	-	-
PCS CARTON	80	50	50	50	40