

STOP VALVES

**ANGLE-SEAT VALVE**

7530A



- F/F angle-seat valve with drain cock
- Female thread ISO 228
- Temperature range min 0°C - max +95°C

Valve suitable for distributing and interrupting fluids that are generally non-corrosive, compatibly with the valve materials. Plumbing and heating systems and industrial sector are the ideal fields of application.

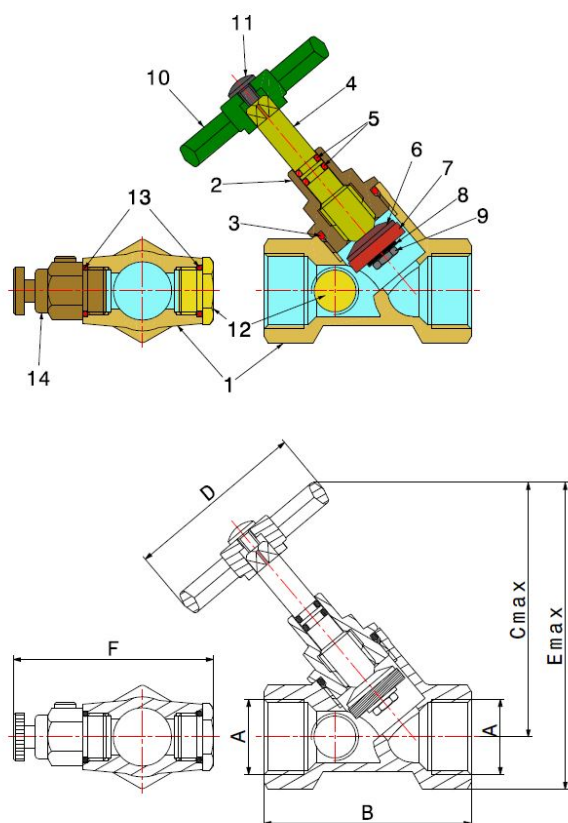
The seat tightness is guaranteed by a EPDM PEROX seal, approved by KTW.

**COMPONENTS**

POS.	PART NAME	N°	MATERIAL
1	Body	1	CW617N UNI-EN 12165
2	Upper part body	1	CW617N UNI-EN 12164 - CW617N UNI-EN 12165
3	O-Ring	1	KTW approved EPDM Perox
4	Upper part stem	1	CW617N UNI-EN 12164
5	O-Ring	2	KTW approved EPDM Perox
6	Hose end disc	1	CW617N UNI-EN 12164 - CW617N UNI-EN 12165
7	Gasket	1	KTW approved EPDM Perox
8	Washer	1	CW508L UNI-EN 1652
9	Nut	1	CW617N UNI-EN 12164
10	Handwheel	1	Plastic
11	Screw	1	CW508L UNI-EN 12166
12	Plug	1	CW617N UNI-EN 12164
13	O-Ring	2	KTW approved EPDM Perox
14	Vent nozzle	1	CW617N UNI-EN 12164

**DIMENSIONS**

DN	A	B	C max	D	E max	F	PN
15	1/2"	57	67	50	81	56	16
20	3/4"	66	77	50	94	61	16
25	1"	80	96	55	118	66	16
32	1.1/4"	92	115	55	141	72	16
40	1.1/2"	101	131	70	160	74	16
50	2"	121	157	70	192	83	16



**PACKAGING**

	1/2"	3/4"	1"	1.1/4"	1.1/2"	2"
<b>CODE</b>	<b>7530A004</b>	<b>7530A006</b>	<b>7530A008</b>	<b>7530A010</b>	<b>7530A011</b>	<b>7530A013</b>
PCS BOX	-	-	-	-	-	-
PCS CARTON	80	50	50	30	20	10