

STOP VALVES

**ANGLE-SEAT VALVE**

7485

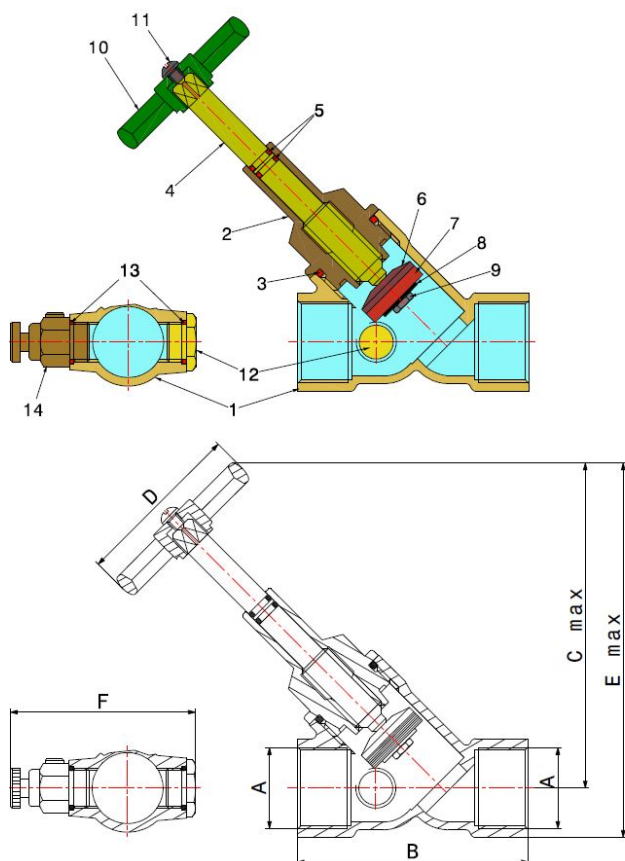


- F/F angle-seat valve with moving stem and drain cock
- Female thread EN10226-1
- Temperature range min 0°C max - +95°C

Valve suitable for distributing and interrupting fluids that are generally non-corrosive, compatibly with the valve materials. Plumbing and heating systems and industrial sector are the ideal fields of application.

Valve produced according to German standards DIN 3502 and 3546 SECTION II.

The seat tightness is guaranteed by a EPDM PEROX seal, approved by KTW.



**COMPONENTS**

POS.	PART NAME	N°	MATERIAL
1	Body	1	CW617N UNI-EN 12165
2	Upper part body	1	CW617N UNI-EN 12164 - CW617N UNI-EN 12165
3	O-Ring	1	KTW approved EPDM Perox
4	Upper part stem	1	CW617N UNI-EN 12164
5	O-Ring	2	KTW approved EPDM Perox
6	Hose end disc	1	CW617N UNI-EN 12164 - CW617N UNI-EN 12165
7	Gasket	1	KTW approved EPDM Perox
8	Washer	1	CW508L UNI-EN 1652
9	Nut	1	CW617N UNI-EN 12164
10	Handwheel	1	Plastic
11	Screw	1	CW508L UNI-EN 12166
12	Plug	1	CW617N UNI-EN 12164
13	O-Ring	2	KTW approved EPDM Perox
14	Vent nozzle	1	CW617N UNI-EN 12164

**DIMENSIONS**

DN	A	B	C max	D	E max	F	PN
15	Rp 1/2"	65	89	50	103	56	16
20	Rp 3/4"	75	106	55	122	62	16
25	Rp 1"	90	126	55	146	68	16
32	Rp 1.1/4"	110	152	70	177	74	16
40	Rp 1.1/2"	120	175	70	202	79	16
50	Rp 2"	150	207	70	242	89	16

**PACKAGING**

	Rp 1/2"	Rp 3/4"	Rp 1"	Rp 1.1/4"	Rp 1.1/2"	Rp 2"
CODE	74850004	74850006	74850008	74850010	74850011	74850013
PIECES PER BOX	-	-	-	-	-	-
PIECES PER CARTON	50	40	30	20	15	10