

STOP VALVES

ANGLE-SEAT VALVE

7490

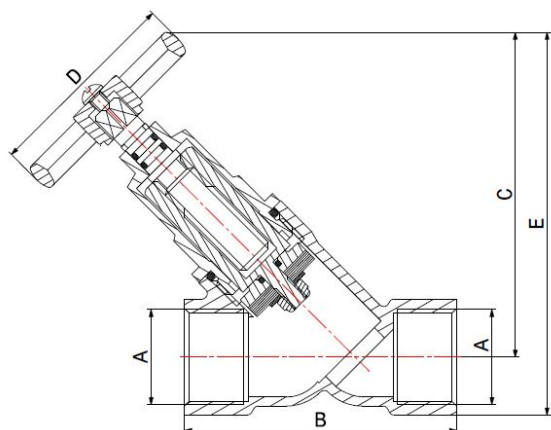
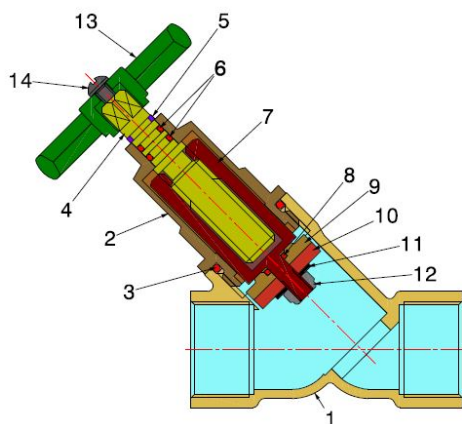


- F/F angle-seat valve with fixed stem
- Female thread EN10226-1
- Temperature range min 0°C - max +95°C

Valve suitable for distributing and interrupting fluids that are generally non-corrosive, compatibly with the valve materials. Plumbing and heating systems and industrial sector are the ideal fields of application.

Valve produced according to German standards DIN 3502 and 3546 SECTION II.

The seat tightness is guaranteed by a EPDM PEROX seal, approved by KTW.



COMPONENTS

POS.	PART NAME	N°	MATERIAL
1	Body	1	CW617N UNI-EN 12165
2	Upper part body	1	CW617N UNI-EN 12164 - CW617N UNI-EN 12165
3	O-Ring	1	KTW approved EPDM Perox
4	Upper part stem	1	CW617N UNI-EN 12164
5	Snap ring	1	Phosphorous bronze
6	O-Ring	2	KTW approved EPDM Perox
7	Valve	1	CW617N UNI-EN 12164
8	O-Ring	1	KTW approved EPDM Perox
9	Hose end disc	1	CW617N UNI-EN 12164
10	Gasket	1	KTW approved EPDM Perox
11	Washer	1	CW508L UNI-EN 1652
12	Self-locking nut	1	Brass
13	Handwheel	1	Plastic
14	Screw	1	CW508L UNI-EN 12166

DIMENSIONS

DN	A	B	C	D	E	PN
15	Rp 1/2"	65	79	50	93	16
20	Rp 3/4"	75	90	50	106	16
25	Rp 1"	90	103	55	123	16
32	Rp 1.1/4"	110	125	70	150	16
40	Rp 1.1/2"	120	136	70	163	16
50	Rp 2"	150	153	70	188	16

PACKAGING

	Rp 1/2"	Rp 3/4"	Rp 1"	Rp 1.1/4"	Rp 1.1/2"	Rp 2"
CODE	74900004	74900006	74900008	74900010	74900011	74900013
PCS BOX	-	-	-	-	-	-
PCS CARTON	70	50	30	20	15	10