

WATER BALL VALVES

**TAMIGI**

866000R

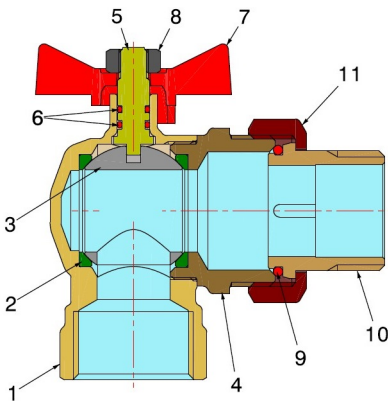


- M/F angle ball valve with connector and red T handle
- Thread ISO 228
- Temperature range min -10°C - max +120°C
- Seat for thermometer 76610000 insertion

Valve suitable for distributing and interrupting liquids that are generally non-corrosive, compatibly with the valve materials. Plumbing, heating, industrial and agricultural sectors are the ideal fields of application. It's a full bore valve and the ball seal is guaranteed by two PTFE seats.

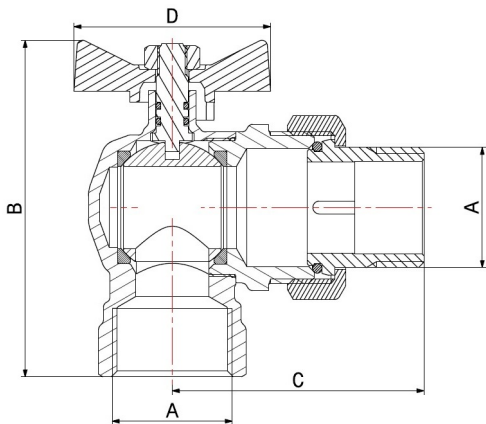
The operating mechanism seal features two O-Rings with an internally installed stem and anti-ejection system.

It is advisable to carry out a complete maneuver cycle at least once every three months in order to prevent limescale deposits that could compromise the valve functioning.



**COMPONENTS**

POS.	PART NAME	N°	MATERIAL
1	Body	1	CW617N UNI-EN 12165 nickel-plated
2	Seal	2	PTFE
3	Ball	1	CW617N UNI-EN 12165 chrome-plated
4	End connection	1	CW617N UNI-EN 12165 nickel-plated
5	Stem	1	CW617N UNI-EN 12164
6	O-Ring	2	EPDM Perox
7	"T" handle	1	Lacquered aluminium
8	Nut	1	Galvanised iron
9	O-Ring	1	EPDM Perox
10	Connector	1	CW617N UNI-EN 12165 nickel-plated
11	Nut	1	CW617N UNI-EN 12165 nickel-plated



**DIMENSIONS**

DN	A	B	C	D	PN
20	3/4"	84	67	54	10
25	1"	93	69	54	10

**PACKAGING**

	3/4"	1"
<b>CODE</b>	<b>86600006R</b>	<b>86600008R</b>
PCS BOX	6	4
PCS CARTON	60	40