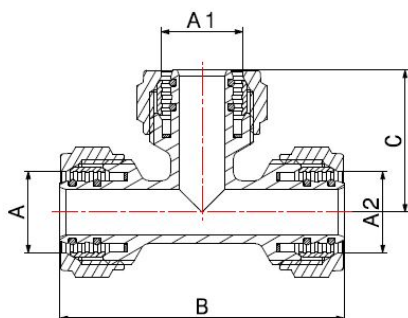
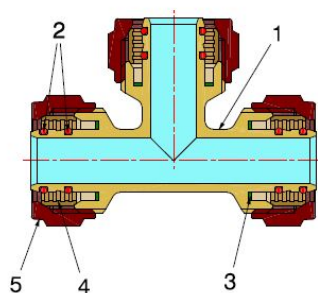


COMPRESSION FITTINGS FOR PEX-AL-PEX PIPES

INTERMEDIATE TEE FITTING

3931



- Intermediate tee compression fitting
- Maximum operating pressure 10 bar
- Temperature range min 0°C - max +95°C

Fitting suitable for distributing fluids that are generally non-corrosive, compatibly with the fitting materials. Heating, plumbing and industrial systems are the ideal fields of application, such as high and low temperature heating systems, HVAC, air-conditioning and distribution of drinking water.

The fitting features an external clamping nut to ensure a perfect crimping to the pipe and an excellent resistance to external stress.

COMPONENTS

POS.	PART NAME	N°	MATERIAL
1	Fitting	1	CW617N UNI-EN 12165 nickel-plated
2	O-Ring	6	EPDM Perox
3	Washer	3	PTFE
4	Ogive	3	CW617N UNI-EN 12164
5	Nut	3	CW617N UNI-EN 12165 nickel-plated

DIMENSIONS

A	A1	A2	B	C
26x3	20x2	20x2	78	37
26x3	20x2	26x3	82	37
26x3	26x3	26x3	82	41
32x3	32x3	32x3	110	55

DIMENSIONS - ARTICLES ON DEMAND

A	A1	A2	B	C
26x3	26x3	20x2	78	41

PACKAGING

	26 - 20 - 20	26 - 20 - 26	26 - 26 - 20	26 - 26 - 26	32 - 32 - 32
CODE	3931262020	3931262026	3931262620	3931262626	3931323232
PCS BAG	5	5	5	5	2
PCS CARTON	40	40	40	40	20