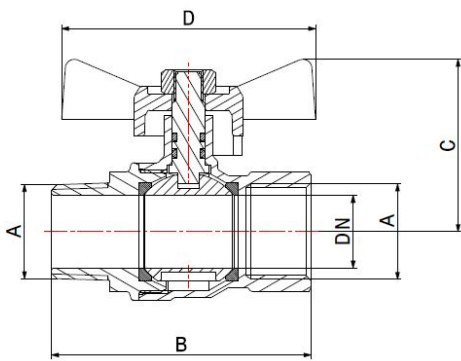
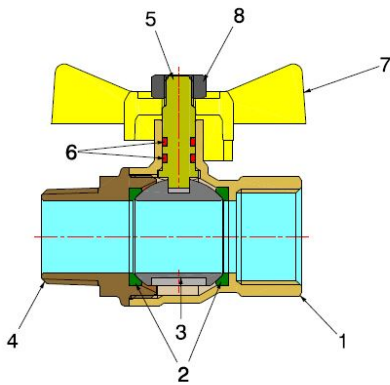


GAS BALL VALVES

MISSOURI

795500



- M/F gas ball valve with T handle
- Male-female thread EN 10226-1
- Pressure class MOP 5
- Temperature range min -20°C - max + 60°C

Valve produced according to EN331 standard class MOP5, suitable for distributing and interrupting low pressure gases. Plumbing and heating systems and industrial sector are the ideal fields of application. It's a full bore valve and the ball seal is guaranteed by two PTFE seats.

The operating mechanism seal features two VITON® O-Rings with an internally installed stem and anti-ejection system.

COMPONENTS

POS.	PART NAME	N°	MATERIAL
1	Body	1	CW617N UNI-EN 12165 nickel-plated
2	Seal	2	Virgin PTFE
3	Ball	1	CW617N UNI-EN 12165 chrome-plated
4	End connection	1	CW617N UNI-EN 12165 nickel-plated
5	Stem	1	CW617N UNI-EN 12164
6	O-Ring	2	VITON®
7	"T" handle	1	Lacquered aluminium
8	Nut	1	Galvanised iron

DIMENSIONS

DN	A	B	C	D
15	Rp 1/2"	65	41	50
20	Rp 3/4"	72	47	67
25	Rp 1"	86	52	67

PACKAGING

	Rp 1/2"	Rp 3/4"	Rp 1"
CODE	79550004	79550006	79550008
PCS BOX	12	10	8
PCS CARTON	120	120	72