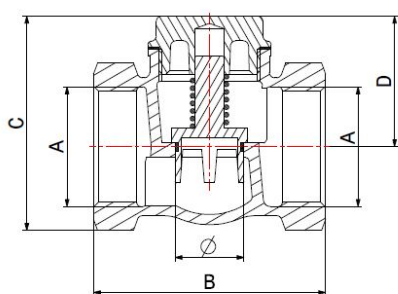
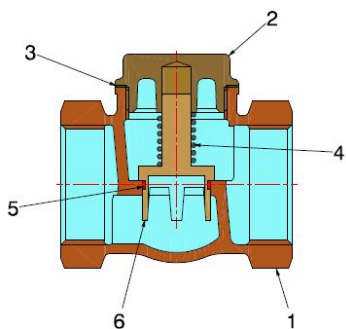


CHECK VALVES

**HORIZONTAL VALVE  
RUBBER SEAT - INCHES**

3001



**COMPONENTS**

POS.	PART NAME	N°	MATERIAL
1	Body	1	Bronze CC491K UNI-EN 1982:2000
2	Cap	1	CW617N UNI-EN 12164 (3/8" to 3/4") - CW617N UNI-EN 12165 (1" to 3")
3	Cap gasket	1	PTFE
4	Spring	1	AISI 302 stainless steel
5	O-Ring	1	EPDM
6	Valve seal	1	CW617N UNI-EN 12164 (1/2" to 1.1/2") - CW617N UNI-EN 12165 (2" to 3")

**DIMENSIONS INCHES**

A	B	C	D	Ø	PSI
3/8"	1,969	1,654	1,142	0,433	200
1/2"	1,969	1,772	1,181	0,433	200
3/4"	2,165	2,047	1,299	0,512	200
1"	2,520	2,323	1,417	0,748	200
1.1/4"	2,874	2,795	1,654	0,906	200
1.1/2"	3,268	3,740	1,909	1,142	200
2"	3,465	4,213	2,224	1,417	200
2.1/2"	5,906	5,039	3,150	2,441	200
3"	6,496	5,709	3,740	2,992	200

**PACKAGING**

	3/8"	1/2"	3/4"	1"	1.1/4"	1.1/2"	2"	2.1/2"	3"
<b>CODE</b>	<b>3001010C00</b>	<b>3001010D00</b>	<b>3001010E00</b>	<b>3001010F00</b>	<b>3001010G00</b>	<b>3001010H00</b>	<b>3001010I00</b>	<b>3001010J00</b>	<b>3001010K00</b>
PCS BOX	20	20	15	10	-	-	-	-	-
PCS CARTON	160	160	120	80	50	40	30	8	6