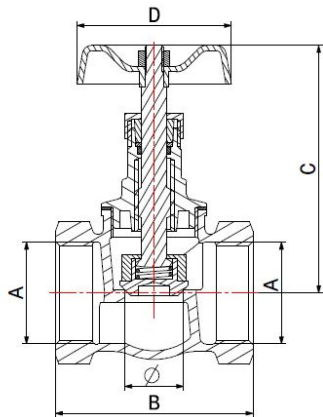
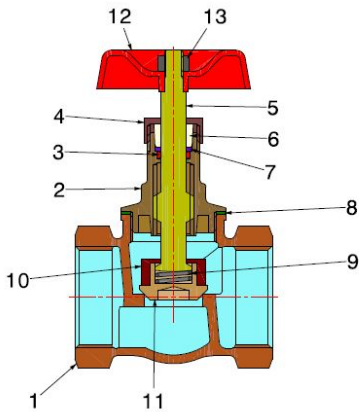
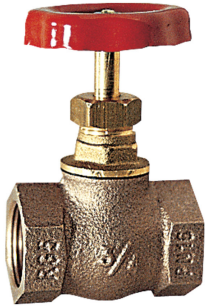


GLOBE VALVES

**BRONZE GLOBE VALVE
WITH METAL SEAT - INCHES**

2100



COMPONENTS

POS.	PART NAME	N°	MATERIAL
1	Body	1	Bronze CC491K UNI-EN 1982:2000
2	Upper part	1	CW617N UNI-EN 12165
3	O-Ring	1	NBR
4	Nut gland	1	CW617N UNI-EN 12165
5	Stem	1	CW617N UNI-EN 12164
6	Cylinder	1	PTFE
7	Stop washer O-Ring	1	CW617N UNI-EN 12164
8	Head gasket	1	PTFE
9	Spring	1	AISI 302 stainless steel
10	Ring	1	CW617N UNI-EN 12165
11	Metal seal	1	CW617N UNI-EN 12165
12	Handwheel	1	Red lacquered iron
13	Handwheel retaining nut	1	Galvanised iron

N.B.: References 9 and 10 are not available in sizes 1/4" to 1.1/4"

DIMENSIONS INCHES

A	B	C	D	Ø	PSI
1/2"	1,969	2,795	1,969	0,433	200
3/4"	2,165	3,031	1,969	0,512	200
1"	2,520	3,543	2,362	0,748	200
1.1/4"	2,874	4,055	2,362	0,906	200
1.1/2"	3,268	4,449	2,756	1,142	200
2"	3,465	5,197	3,150	1,417	200
2.1/2"	5,906	8,228	4,724	2,441	200

PACKAGING

	1/2"	3/4"	1"	1.1/4"	1.1/2"	2"	2.1/2"
CODE	2100610D00	2100610E00	2100610F00	2100610G00	2100610H00	2100610I00	2100610J00
PCS BOX	12	8	6	-	-	-	-
PCS CARTON	96	64	48	50	30	20	10