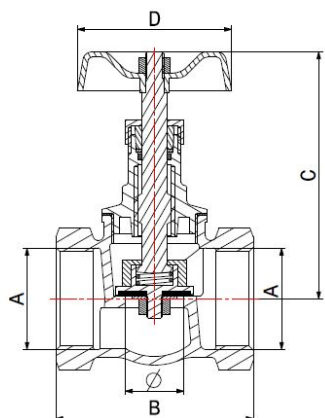
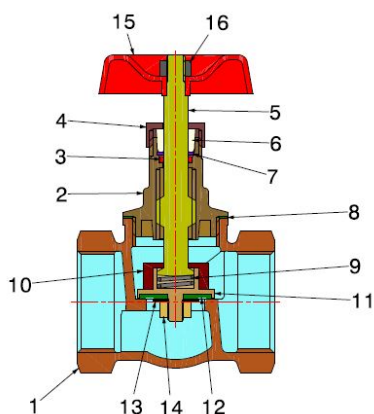


GLOBE VALVES

**BRONZE GLOBE VALVE  
WITH PTFE SEAT - INCHES**

2101



**COMPONENTS**

POS.	PART NAME	N°	MATERIAL
1	Body	1	Bronze CC491K UNI-EN 1982:2000
2	Upper part	1	CW617N UNI-EN 12165
3	O-Ring	1	Viton®
4	Nut gland	1	CW617N UNI-EN 12165
5	Stem	1	CW617N UNI-EN 12164
6	Cylinder	1	PTFE
7	Stop washer O-Ring	1	CW617N UNI-EN 12164
8	Head gasket	1	PTFE
9	Spring	1	AISI 302 stainless steel
10	Ring	1	CW617N UNI-EN 12165
11	Seal	1	CW617N UNI-EN 12165
12	Seal gasket	1	PTFE
13	Washer	1	CW617N UNI-EN 12164
14	Nut for washer	1	CW617N UNI-EN 12164
15	Handwheel	1	Red lacquered iron
16	Handwheel retaining nut	1	Galvanised iron

N.B.: References 9 and 10 are not available in sizes 1/4" to 1.1/4"

**DIMENSIONS INCHES**

A	B	C	D	Ø	PSI
3/8"	1,969	2,756	1,969	0,433	200
1/2"	1,969	2,795	1,969	0,433	200
3/4"	2,165	3,031	1,969	0,512	200
1"	2,520	3,543	2,362	0,748	200
1.1/4"	2,874	4,055	2,362	0,906	200
1.1/2"	3,268	4,449	2,756	1,142	200
2"	3,465	5,197	3,150	1,417	200
2.1/2"	5,906	8,228	4,724	2,441	200

**PACKAGING**

	3/8"	1/2"	3/4"	1"	1.1/4"	1.1/2"	2"	2.1/2"
<b>CODE</b>	<b>2101610C00</b>	<b>2101610D00</b>	<b>2101610E00</b>	<b>2101610F00</b>	<b>2101610G00</b>	<b>2101610H00</b>	<b>2101610I00</b>	<b>2101610J00</b>
PCS BOX	12	12	8	6	-	-	-	-
PCS CARTON	96	96	64	48	50	30	20	10