

WATER BALL VALVES

**MISSISSIPI**

7620



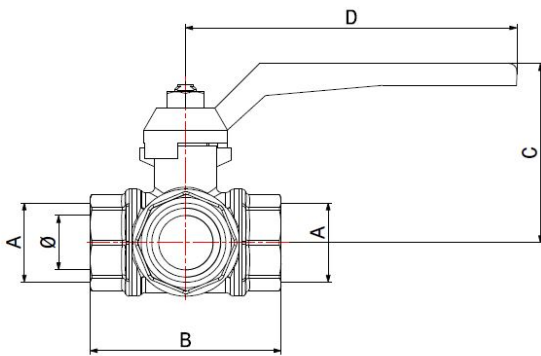
- T/L 3-way ball valve
- Thread ISO 228
- Version T code 762040
- Version L code 762041
- Temperature range min -10°C - max +95°C



Valve suitable for distributing and interrupting liquids that are generally non-corrosive, compatibly with the valve materials. Plumbing, heating, industrial and agricultural sectors are the ideal fields - especially the hydraulic plants, compressed air, oil and petrol distributors network, glycol, heating, conditioning.

The ball valve diverts the flow from one line to the other one without the usage of other two way valves.

The ball seal is guaranteed by four PTFE seats and adjustable gland.



**DIMENSIONS**

DN	A	B	C	D	Ø	PN
8	1/4"	77	52	115	10	40
10	3/8"	77	52	115	10	40
15	1/2"	82	52	115	10	40
20	3/4"	91	56	115	15	40
25	1"	106	64	150	20	40
32	1.1/4"	121	68	150	25	40
40	1.1/2"	141	94	240	32	40
50	2"	165	104	240	40	40

**PACKAGING**

	1/4"	3/8"	1/2"	3/4"	1"	1.1/4"	1.1/2"	2"
<b>TYPE T</b>	<b>76204002</b>	<b>76204003</b>	<b>76204004</b>	<b>76204006</b>	<b>76204008</b>	<b>76204010</b>	<b>76204011</b>	<b>76204013</b>
<b>TYPE L</b>	<b>76204102</b>	<b>76204103</b>	<b>76204104</b>	<b>76204106</b>	<b>76204108</b>	<b>76204110</b>	<b>76204111</b>	<b>76204113</b>
PCS BOX	6	6	6	5	4	3	2	2
PCS CARTON	36	36	36	30	16	12	6	6