

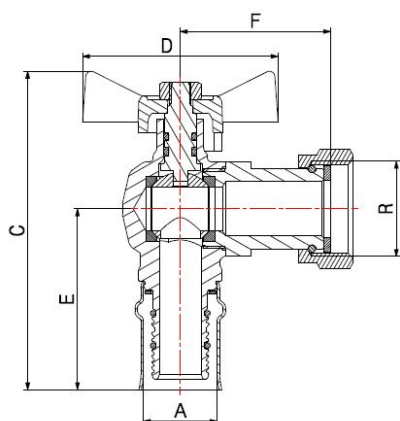
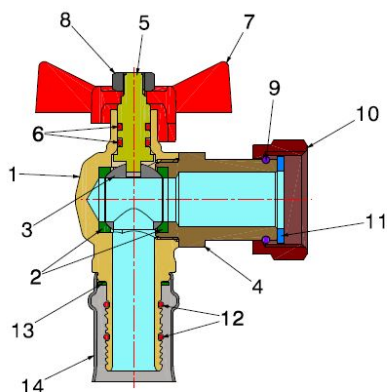
PRESS FITTINGS FOR PEX-AL-PEX PIPES

BALL VALVE WITH COMPRESSION ENDS

8647



- Angle press ball valve with swivel nut and T handle
- Maximum operating pressure of 10 bar
- Temperature range between min 0°C - max +95°C
- The jaws for the fitting pressing have to be **TH** profile.



Valve suitable for distributing and interrupting fluids that are generally non-corrosive, compatibly with the valve materials. Heating, plumbing and industrial systems are the ideal fields of application, such as high and low temperature heating systems, HVAC, air-conditioning and water distribution. The ball seal is guaranteed by two PTFE seats. The operating mechanism seal features two O-Rings with an internally installed stem and anti-ejection system. It is advisable to carry out a complete maneuver cycle at least once every three months in order to prevent calcareous deposits that could compromise the valve functioning.

COMPONENTS

POS.	DESCRIZIONE	N°	MATERIALE
1	Body	1	CW617N UNI-EN 12165 nickel-plated
2	Seal	2	PTFE
3	Ball	1	CW617N UNI-EN 12164 chrome-plated
4	End connection	1	CW617N UNI-EN 12164 nickel-plated
5	Stem	1	CW617N UNI-EN 12164
6	O-Ring	2	EPDM Perox
7	Handle	1	Lacquered aluminium
8	Nut	1	Galvanised iron
9	Elastic ring	1	Stainless steel
10	Nut	1	CW617N UNI-EN 12165 nickel-plated
11	Gasket	1	Fasit Omnia
12	O-Ring	2	EPDM Perox
13	Washer	1	PTFE
14	Bushing	1	AISI 304 Stainless steel

DIMENSIONS

A	R	C	D	E	F
20	3/4"	88	54	50	42
26	1"	90	54	52	45

PACKAGING

	20 - 3/4"	26 - 1"
CODE	86472006R	86472608R
PCS BAG	10	8
PCS CARTON	100	80