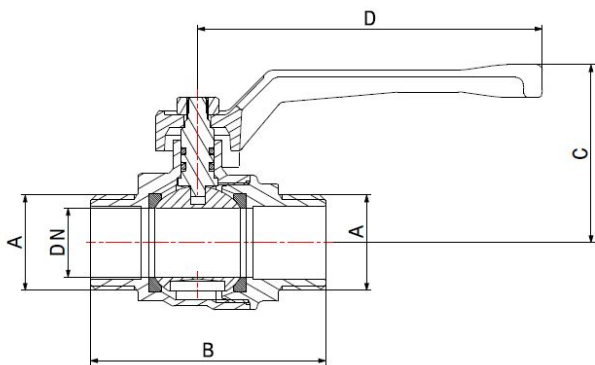
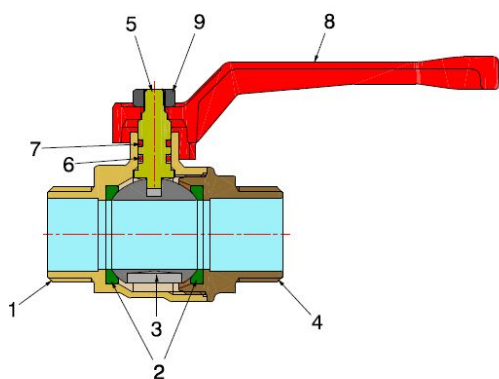


WATER BALL VALVES

**TAMIGI**

764502



- M/M ball valve with aluminium lever
- Thread ISO 228
- Temperature range min -10°C - max +120°C

Valve suitable for distributing and interrupting liquids that are generally non-corrosive, compatibly with the valve materials. Plumbing, heating, industrial and agricultural sectors are the ideal fields of application. It's a full bore valve and the ball seal is guaranteed by two PTFE seats.

The operating mechanism seal features two O-Rings with an internally installed stem and anti-ejection system.

It is advisable to carry out a complete maneuver cycle at least once every three months in order to prevent limescale deposits that could compromise the valve functioning.

**COMPONENTS**

POS.	PART NAME	N°	MATERIAL
1	Body	1	CW617N UNI-EN 12165 nickel-plated
2	Seal	2	PTFE
3	Ball	1	CW617N UNI-EN 12165 chrome-plated
4	End connection	1	CW617N UNI-EN 12165 nickel-plated
5	Stem	1	CW617N UNI-EN 12164
6	O-Ring	1	EPDM Perox
7	O-Ring	1	FKM
8	Lever	1	Laacquered aluminium
9	Nut	1	Galvanised iron

**DIMENSIONS**

DN	A	B	C	D	PN	KV*
10	3/8"	49	46	95	40	-
15	1/2"	59	51	95	40	10,05
20	3/4"	65	54	95	40	24,56
25	1"	77	63	120	40	51,21
32	1.1/4"	87	77	120	30	68,65
40	1.1/2"	103	88	150	30	98,83
50	2"	113	97	150	30	177,04

PRESSURE DROP see chart at the end of catalogue

**PACKAGING**

	3/8"	1/2"	3/4"	1"	1.1/4"	1.1/2"	2"
<b>CODE</b>	<b>76450203R</b>	<b>76450204R</b>	<b>76450206R</b>	<b>76450208R</b>	<b>76450210R</b>	<b>76450211R</b>	<b>76450213R</b>
PCS BOX	30	20	15	8	-	-	-
PCS CARTON	180	200	150	80	30	18	8