

GAS BALL VALVES

**MISSOURI**

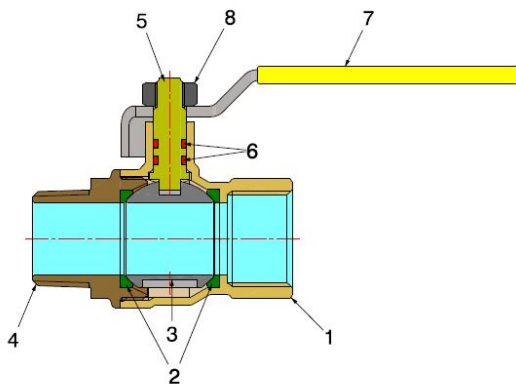
795501



- M/F gas ball valve with iron lever
- Male-female thread EN 10226-1
- Pressure class MOP 5
- Temperature range min -20°C - max +60°C

Valve produced according to EN331 standard class MOP5, suitable for distributing and interrupting low pressure gases. Plumbing and heating systems and industrial sector are the ideal fields of application. It's a full bore valve and the ball seal is guaranteed by two PTFE seats.

The operating mechanism seal features two VITON® O-Rings with an internally installed stem and anti-ejection system.



**COMPONENTS**

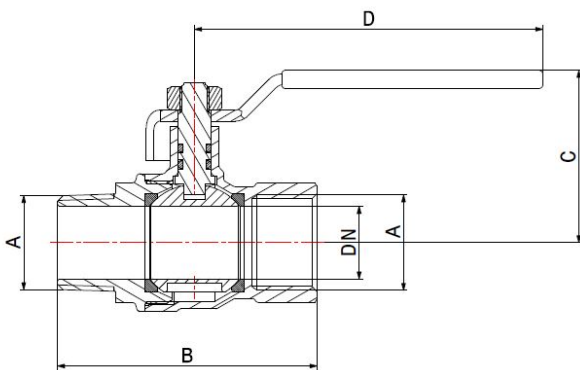
POS.	PART NAME	N°	MATERIAL
1	Body	1	CW617N UNI-EN 12165 nickel-plated
2	Seal	2	Virgin PTFE
3	Ball	1	CW617N UNI-EN 12165 chrome-plated
4	End connection	1	CW617N UNI-EN 12165 nickel-plated
5	Stem	1	CW617N UNI-EN 12164
6	O-Ring	2	VITON®
7	Lever	1	Galvanised iron and PVC coated
8	Nut	1	Galvanised iron

**DIMENSIONS**

DN	A	B	C	D
15	Rp 1/2"	65	41	95
20	Rp 3/4"	72	46	95
25	Rp 1"	86	56	120

**DIMENSIONS - ARTICLES ON DEMAND**

DN	A	B	C	D
32	Rp 1.1/4"	101	63	120
40	Rp 1.1/2"	113	80	150
50	Rp 2"	134	88	150



**PACKAGING**

	Rp 1/2"	Rp 3/4"	Rp 1"	Rp 1.1/4"	Rp 1.1/2"	Rp 2"
<b>CODE</b>	<b>79550104</b>	<b>79550106</b>	<b>79550108</b>	<b>79550110</b>	<b>79550111</b>	<b>79550113</b>
PCS BOX	12	10	8	-	-	-
PCS CARTON	120	120	72	20	16	10