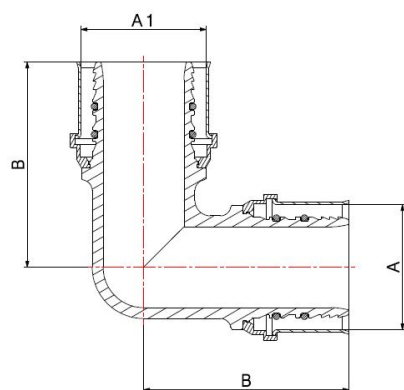
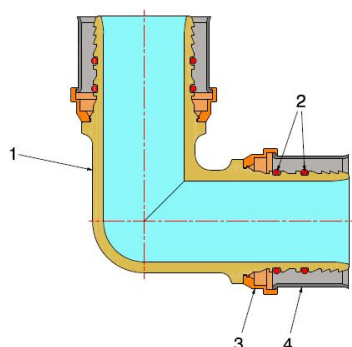


PRESS FITTINGS FOR PEX-AL-PEX PIPES

INTERMEDIATE ELBOW FITTING

4051



- Intermediate elbow press fitting
- Maximum operating pressure 10 bar
- Temperature range min 0°C - max +95°C
- The jaws for the fittings pressing have to be **TH** profile.

Fitting suitable for distributing fluids that are generally non-corrosive, compatibly with the fitting materials. Heating, plumbing and industrial systems are the ideal fields of application, such as high and low temperature heating systems, air-conditioning and distribution of drinking water. The tightness is guaranteed by two EPDM PEROX O-Rings, particularly recommended with water-glycol solutions, with a maximum glycol presence of 50%. The steel sleeve pressing, carried out with electromechanical tools, ensures a perfect and indivisible crimping to the pipe as well as an excellent resistance to external stress.

ACS

COMPONENTS

POS.	PART NAME	N°	MATERIAL
1	Fitting	1	CW617N UNI-EN 12165
2	O-Ring	4	EPDM Perox
3	Bushing holder	2	Plastic
4	Bushing	2	AISI 304 stainless steel

DIMENSIONS

A	A1	B
40	40	66
50	50	82
63	63	87
75	75	103

PACKAGING

	40 - 40	50 - 50	63 - 63	75 - 75
CODE	40514040	40515050	40516363	40517575
PCS BAG	2	2	2	2
PCS CARTON	30	16	10	10