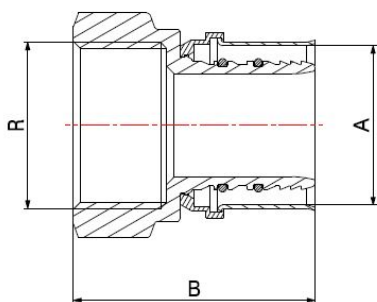
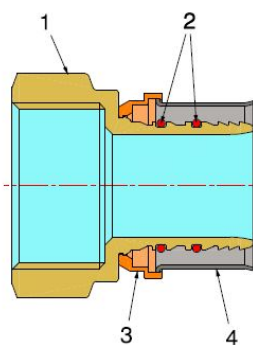
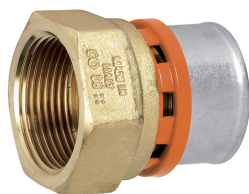


PRESS FITTINGS FOR PEX-AL-PEX PIPES

FEMALE STRAIGHT FITTING

4002



- Female straight press fitting
- Maximum operating pressure 10 bar
- Thread EN 10226-1
- Temperature range min 0°C – max +95°C
- The jaws for the fittings pressing have to be **TH** profile.

Fitting suitable for distributing fluids that are generally non-corrosive, compatibly with the fitting materials. Heating, plumbing and industrial systems are the ideal fields of application, such as high and low temperature heating systems, air-conditioning and distribution of drinking water. The tightness is guaranteed by two EPDM PEROX O-Rings, particularly recommended with water-glycol solutions, with a maximum glycol presence of 50%. The steel sleeve pressing, carried out with electromechanical tools, ensures a perfect and indivisible crimping to the pipe as well as an excellent resistance to external stress.

ACS

COMPONENTS

POS.	PART NAME	N°	MATERIAL
1	Fitting	1	CW617N UNI-EN 12165
2	O-Ring	2	EPDM Perox
3	Bushing holder	1	Plastic
4	Bushing	1	AISI 304 stainless steel

DIMENSIONS

A	R	B
40	1.1/4"	62
50	1.1/2"	71
63	2"	78
75	2.1/2"	93

PACKAGING

	40 - 1.1/4"	50 - 1.1/2"	63 - 2"	75 - 2.1/2"
CODE	40024010	40025011	40026313	40027515
PCS BAG	2	2	2	2
PCS CARTON	30	20	14	14