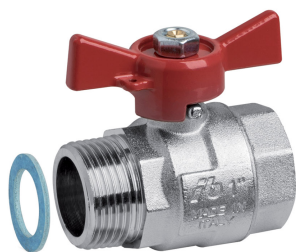


WATER BALL VALVES

TAMIGI

760800R



- F/M ball valve with flat seat and gasket with red T handle
- Thread ISO 228
- Temperature range min -10°C - max +120°C

Valve suitable for distributing and interrupting liquids that are generally non-corrosive, compatibly with the valve materials. Plumbing, heating, industrial and agricultural sectors are the ideal fields of application. It's a full bore valve and the ball seal is guaranteed by two PTFE seats.

The operating mechanism seal features two O-Rings with an internally installed stem and anti-ejection system.

It is advisable to carry out a complete maneuver cycle at least once every three months in order to prevent limescale deposits that could compromise the valve functioning.

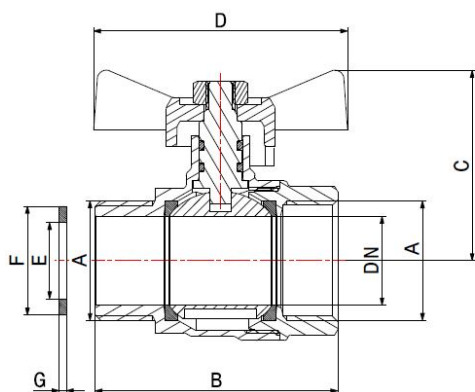
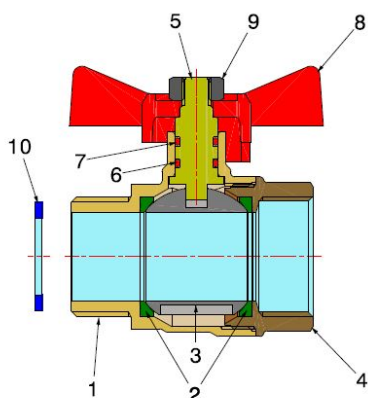
COMPONENTS

POS.	PART NUMBER	N°	MATERIAL
1	Body	1	CW617N UNI-EN 12165 nickel-plated
2	Seal	2	PTFE
3	Ball	1	CW617N UNI-EN 12165 chrome-plated
4	End connection	1	CW617N UNI-EN 12165 nickel-plated
5	Stem	1	CW617N UNI-EN 12164
6	O-Ring	1	EPDM Perox
7	O-Ring	1	FKM
8	"T" handle	1	Lacquered aluminium
9	Nut	1	Galvanised iron
10	Gasket	1	Fasit Omnia

DIMENSIONS

DN	A	B	C	D	PN	E	F	G	KV*
25	1"	67	57	70	40	21	30	2	51,21

PRESSURE DROP see chart at the end of catalogue



PACKAGING

	1"
CODE	76080008R
PCS BOX	8
PCS CARTON	80