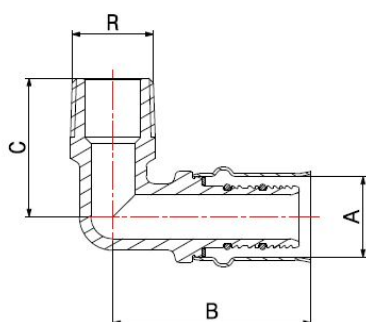
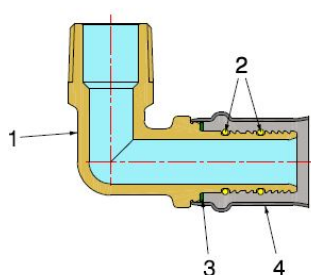


HOMEGAS PRESS FITTINGS FOR PEX-AL-PEX PIPES

## MALE ELBOW FITTING

4453



- Male elbow press fitting for gas
- Maximum operating pressure MOP 0,5 BAR
- Thread UNI EN 10226-1
- Temperature range min -20°C - max +70°C
- Manufactured according to UNI/TS11344
- The jaws to be used for the pressing are **TH** profile.

The fitting is particularly suitable for the distribution of natural gas and GPL at low pressure.

The fields of application can be the installation of new plants or replacing existing ones. Sealing is ensured by two O-Rings in NBR with yellow teflon, approved according to UNI EN 682/06 and DVGW EN 549.

The pressing of the steel sleeve ensures a perfect and indivisible grafting to the pipe and a good resistance to external stresses.



### COMPONENTS

POS.	PART NAME	N°	MATERIAL
1	Fitting	1	CW617N UNI-EN 12165
2	O-Ring	2	NBR UNI-EN 682/06 - DVGW EN 549
3	Washer	1	PTFE
4	Bushing	1	AISI 304 stainless steel "gas marked"

### DIMENSIONS

A	R	B	C
16	1/2"	49	35
20	1/2"	50	35
20	3/4"	50	35
26	3/4"	52	43

### PACKAGING

	16 - 1/2"	20 - 1/2"	20 - 3/4"	26 - 3/4"
<b>CODE</b>	<b>44531654</b>	<b>44532054</b>	<b>44532056</b>	<b>44532656</b>
PCS BAG	10	10	10	5
PCS CARTON	200	150	100	80