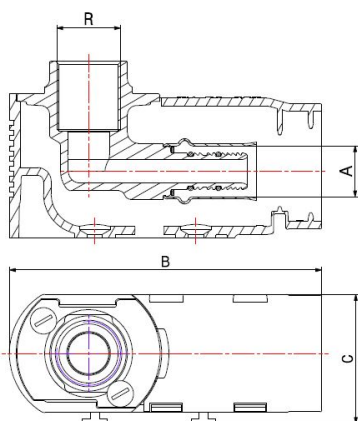
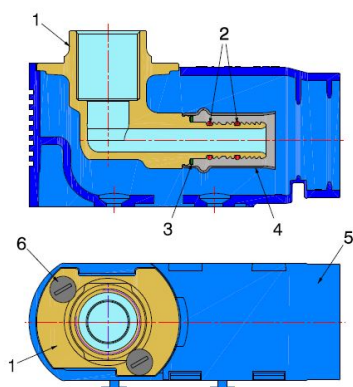
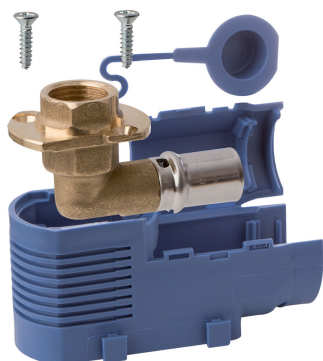


PRESS FITTINGS FOR PEX-AL-PEX PIPES

SANITAIRE FITTING

9644



- Sanitaire press fitting 1/2" F – 16x2
- Thread EN 10226-1
- Maximum operating pressure 10 bar
- Temperature range min 0°C -max +95°C
- Protection cover
- Modular assembly
- On bracket or with dowels mounting

COMPONENTS

POS.	PART NAME	N°	MATERIAL
1	Fitting	1	CW617N UNI-EN 12165
2	O-Ring	2	EPDM Perox
3	Washer	1	PTFE
4	Bushing	1	AISI 304 stainless steel
5	Box	1	Plastic
6	Screw	2	Galvanised iron

DIMENSIONS

A	R	B	C
16	1/2"	101	42

PACKAGING

	16 - 1/2"
CODE	96441604
PCS BAG	1
PCS CARTON	30