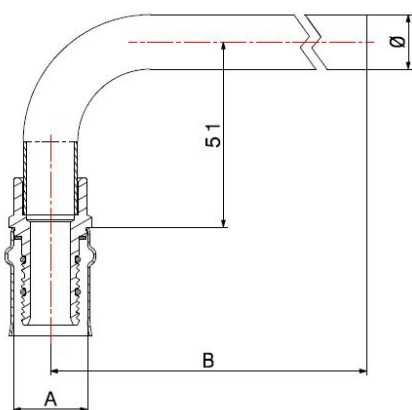
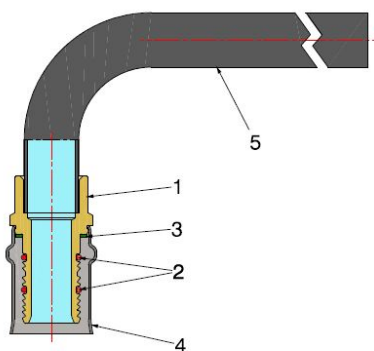


PRESS FITTINGS FOR PEX-AL-PEX PIPES

PRESS FITTING WITH EXTENSION FOR RADIATOR

4005



- Press fitting with extension for radiator
- Maximum operating pressure 10 bar
- Temperature range min 0°C – max +95°C
- Finishing nickel-plated
- The jaws for the fitting pressing have to be **TH** profile.

Items are sold in pairs.

Fitting suitable for distributing fluids that are generally non-corrosive, compatibly with the fitting materials. Heating and HVAC systems are the ideal fields of application. The tightness is guaranteed by two EPDM PEROX O-Rings, particularly recommended with water-glycol solutions, with a maximum glycol presence of 50%.

The steel sleeve pressing, carried out with electromechanical tools, ensures a perfect and indivisible crimping to the pipe as well as an excellent resistance to external stress.

COMPONENTS

POS.	PART NAME	N°	MATERIAL
1	Fitting	1	CW617N UNI-EN 12164 nickel-plated
2	O-Ring	2	EPDM Perox
3	Washer	1	PTFE
4	Bushing	1	AISI 304 stainless steel
5	Pipe	1	Nickel-plated copper

DIMENSIONS

A	Ø	B
16	15	300
16	15	1100
20	15	300

PACKAGING

	16x15 - 300	16x15 - 1100	20x15 - 300
CODE	40050316	40051116	40050320
PCS BAG	2	2	2
PCS CARTON	100	2	100