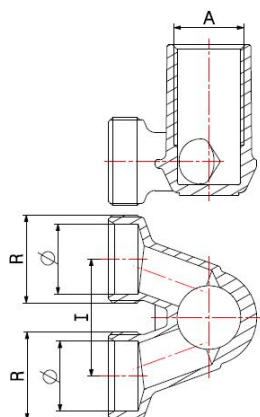
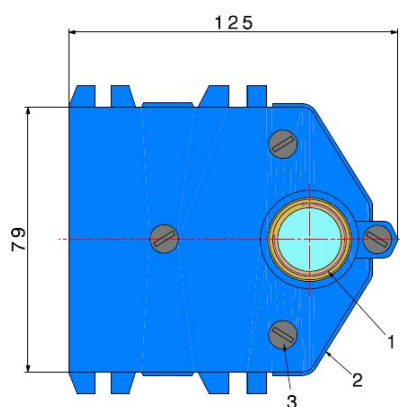


COMPRESSION FITTINGS FOR PEX-AL-PEX PIPES

EXTRACTABLE DOUBLE FITTING 1/2" F – 3/4" M

9642

- Extractable dual fitting - 1/2" F - 3/4" M
- Thread ISO 228
- Maximum operating pressure 10 bar
- Temperature range min 0°C - max +95°C



COMPONENTS

POS.	PART NAME	N°	MATERIAL
1	Fitting	1	CW617N UNI-EN 12165
2	Box	1	Plastic
3	Screw	4	Galvanised iron

DIMENSIONS

A	R	Ø	I
1/2"	3/4"	20	35

PACKAGING

	1/2"
CODE	96420004
PCS BAG	1
PCS CARTON	32