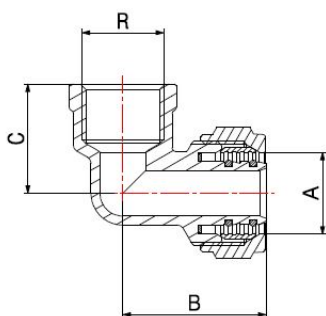
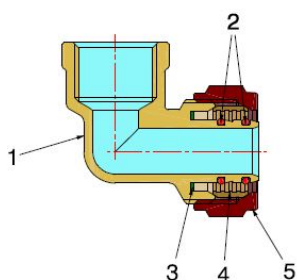


COMPRESSION FITTINGS FOR PEX-AL-PEX PIPES

FEMALE ELBOW FITTING

3952



- Female elbow compression fitting
- Thread EN 10226-1
- Maximum operating pressure 10 bar
- Temperature range min 0°C - max +95°C

Fitting suitable for distributing fluids that are generally non-corrosive, compatibly with the fitting materials. Heating, plumbing and industrial systems are the ideal fields of application, such as high and low temperature heating systems, HVAC, air-conditioning and distribution of drinking water. The fitting features an external clamping nut to ensure a perfect crimping to the pipe and an excellent resistance to external stress.

COMPONENTS

POS.	PART NAME	N°	MATERIAL
1	Fitting	1	CW617N UNI-EN 12165 nickel-plated
2	O-Ring	2	EPDM Perox
3	Washer	1	PTFE
4	Ogive	1	CW617N UNI-EN 12164
5	Nut	1	CW617N UNI-EN 12165 nickel-plated

DIMENSIONS

A	R	B	C
16x2	1/2"	33	25
16x2	3/4"	38	28
18x2	1/2"	37	28
18x2	3/4"	39	32
20x2	1/2"	36	28
20x2	3/4"	40	28
26x3	3/4"	41	31
26x3	1"	43	33
32x3	1"	53	38

PACKAGING

	16 - 1/2"	16 - 3/4"	18 - 1/2"	18 - 3/4"	20 - 1/2"	20 - 3/4"	26 - 3/4"	26 - 1"	32 - 1"
CODE	39521604	39521606	39521804	39521806	39522004	39522006	39522606	39522608	39523208
PCS BAG	10	10	10	10	10	10	5	5	2
PCS CARTON	160	120	140	120	140	100	70	60	30