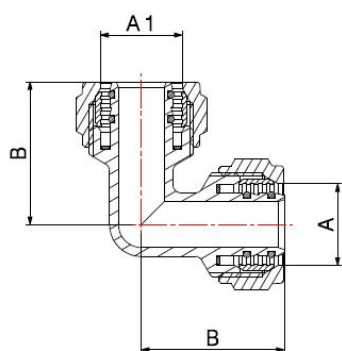
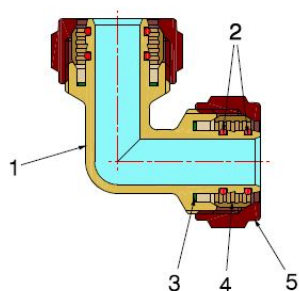


COMPRESSION FITTINGS FOR PEX-AL-PEX PIPES

**INTERMEDIATE ELBOW**

**FITTING**

3951



- Intermediate elbow compression fitting
- Maximum operating pressure 10 bar
- Temperature range min 0°C - max +95°C

Fitting suitable for distributing fluids that are generally non-corrosive, compatibly with the fitting materials. Heating, plumbing and industrial systems are the ideal fields of application, such as high and low temperature heating systems, HVAC, air-conditioning and distribution of drinking water.

The fitting features an external clamping nut to ensure a perfect crimping to the pipe and an excellent resistance to external stress.

**COMPONENTS**

POS.	PART NAME	N°	MATERIAL
1	Fitting	1	CW617N UNI-EN 12165 nickel-plated
2	O-Ring	4	EPDM Perox
3	Washer	2	PTFE
4	Ogive	2	CW617N UNI-EN 12164
5	Nut	2	CW617N UNI-EN 12165 nickel-plated

**DIMENSIONS**

A	A1	B
16x2	16x2	31
18x2	18x2	39
20x2	20x2	36
26x3	26x3	41
32x3	32x3	55

**PACKAGING**

	16 - 16	18 - 18	20 - 20	26 - 26	32 - 32
<b>CODE</b>	<b>39511616</b>	<b>39511818</b>	<b>39512020</b>	<b>39512626</b>	<b>39513232</b>
PCS BAG	10	10	5	5	2
PCS CARTON	160	100	100	50	30