

COMPRESSION FITTINGS FOR PEX-AL-PEX PIPES

MALE TEE FITTING

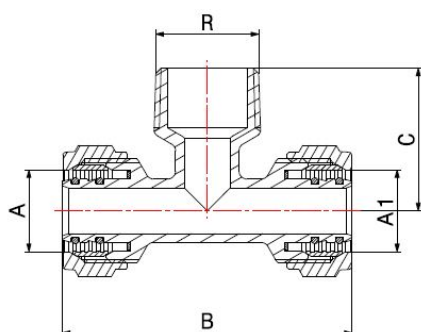
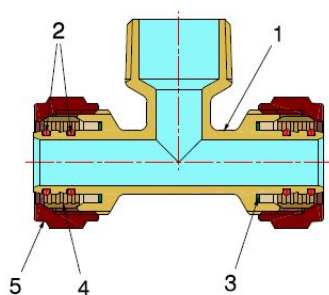
3933



- Male tee compression fitting
- Thread EN 10226-1
- Maximum operating pressure 10 bar
- Temperature range min 0°C - max +95°C

Fitting suitable for distributing fluids that are generally non-corrosive, compatibly with the fitting materials. Heating, plumbing and industrial systems are the ideal fields of application, such as high and low temperature heating systems, HVAC, air-conditioning and distribution of drinking water.

The fitting features an external clamping nut to ensure a perfect crimping to the pipe and an excellent resistance to external stress.



COMPONENTS

POS.	PART NAME	N°	MATERIAL
1	Fitting	1	CW617N UNI-EN 12165 nickel-plated
2	O-Ring	4	EPDM Perox
3	Washer	2	PTFE
4	Ogive	2	CW617N UNI-EN 12164
5	Nut	2	CW617N UNI-EN 12165 nickel-plated

DIMENSIONS

A	R	A1	B	C
16x2	1/2"	16x2	61	30
18x2	1/2"	18x2	76	30
20x2	1/2"	20x2	72	33
20x2	3/4"	20x2	72	36
26x2	3/4"	26x3	82	39
26x2	1"	26x3	82	41
32x2	1"	32x3	109	46

PACKAGING

	16 - 1/2" - 16	18 - 1/2" - 18	20 - 1/2" - 20	20 - 3/4" - 20	26 - 3/4" - 26	26 - 1" - 26	32 - 1" - 32
CODE	3933160416	3933180418	3933200420	3933200620	3933260626	3933260826	3933320832
PCS BAG	10	10	5	5	5	5	2
PCS CARTON	100	80	80	70	40	40	20