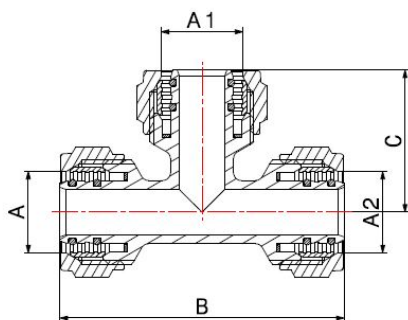
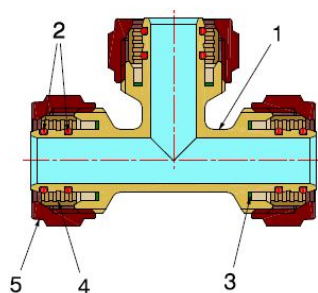


COMPRESSION FITTINGS FOR PEX-AL-PEX PIPES

INTERMEDIATE TEE FITTING

3931



- Intermediate tee compression fitting
- Maximum operating pressure 10 bar
- Temperature range min 0°C - max +95°C

Fitting suitable for distributing fluids that are generally non-corrosive, compatibly with the fitting materials. Heating, plumbing and industrial systems are the ideal fields of application, such as high and low temperature heating systems, HVAC, air-conditioning and distribution of drinking water.

The fitting features an external clamping nut to ensure a perfect crimping to the pipe and an excellent resistance to external stress.

COMPONENTS

POS.	PART NAME	N°	MATERIAL
1	Fitting	1	CW617N UNI-EN 12165 nickel-plated
2	O-Ring	6	EPDM Perox
3	Washer	3	PTFE
4	Ogive	3	CW617N UNI-EN 12164
5	Nut	3	CW617N UNI-EN 12165 nickel-plated

DIMENSIONS

A	A1	A2	B	C
16x2	16x2	16x2	61	30,5
18x2	16x2	18x2	76	37
18x2	18x2	18x2	76	39
20x2	16x2	16x2	65	34,5
20x2	16x2	20x2	69	34,5
20x2	20x2	16x2	69	36
20x2	20x2	20x2	72	36

FOLLOWING THE DIMENSIONS FROM 26 TO 32

PACKAGING

	16 - 16 - 16	18 - 16 - 18	18 - 18 - 18	20 - 16 - 16	20 - 16 - 20	20 - 20 - 16	20 - 20 - 20
CODE	3931161616	3931181618	3931181818	3931201616	3931201620	3931202016	3931202020
PCS BAG	10	5	5	5	5	5	5
PCS CARTON	100	70	70	70	70	70	50