

WATER BALL VALVES

MISSOURI

796001



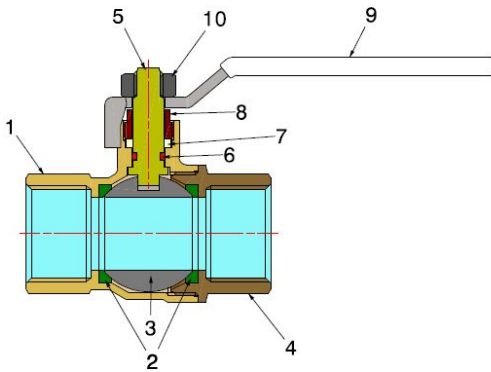
- DZR F/F water ball valve with iron lever
- Thread ISO 228
- Temperature range min -10°C - max +120°C



Valve suitable for distributing and interrupting liquids that could cause dezincification problems. Plumbing and heating systems and industrial sector are the ideal fields of application. It's a full bore valve and the ball seal is guaranteed by two PTFE seats.

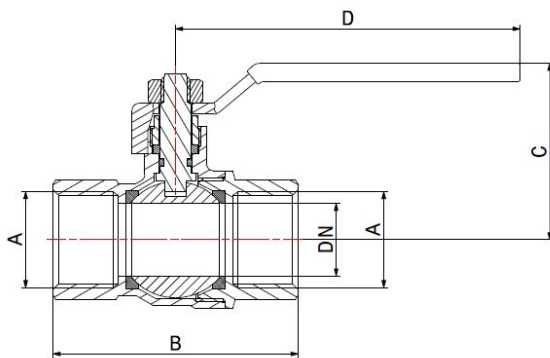
The operating mechanism seal features an adjustable gland with a PTFE ring and a EPDM PEROX O-Ring. The stem is internally installed with an anti-ejection system.

It is advisable to carry out a complete maneuver cycle at least once every three months in order to prevent limescale deposits that could compromise the valve functioning.



COMPONENTS

POS.	PART NAME	N°	MATERIAL
1	Body	1	CW617N UNI-EN 12165 nickel-plated
2	Seal	2	PTFE
3	Ball	1	CW617N UNI-EN 12165 chrome-plated
4	End connection	1	CW617N UNI-EN 12165 nickel-plated
5	Stem	1	CW617N UNI-EN 12164
6	O-Ring	1	EPDM Perox
7	Gland packing	1	PTFE
8	Gland	1	CW617N UNI-EN 12164
9	Lever	1	Galvanised iron and PVC coated
10	Nut	1	Galvanised iron



DIMENSIONS

DN	A	B	C	D	PN	*KV
10	3/8"	51	40	95	40	-
15	1/2"	59	42	95	40	10,05
20	3/4"	68	47	95	40	21,57
25	1"	80	58	120	40	49,14
32	1.1/4"	96	67	120	30	68,65
40	1.1/2"	106	83	150	30	98,83
50	2"	130	90	150	30	177,04

PRESSURE DROP see chart at the end of catalogue

PACKAGING

	3/8"	1/2"	3/4"	1"	1.1/4"	1.1/2"	2"
CODE	79600103W	79600104W	79600106W	79600108W	79600110W	79600111W	79600113W
PCS BOX	20	12	10	8	-	-	-
PCS CARTON	200	120	120	72	25	16	8