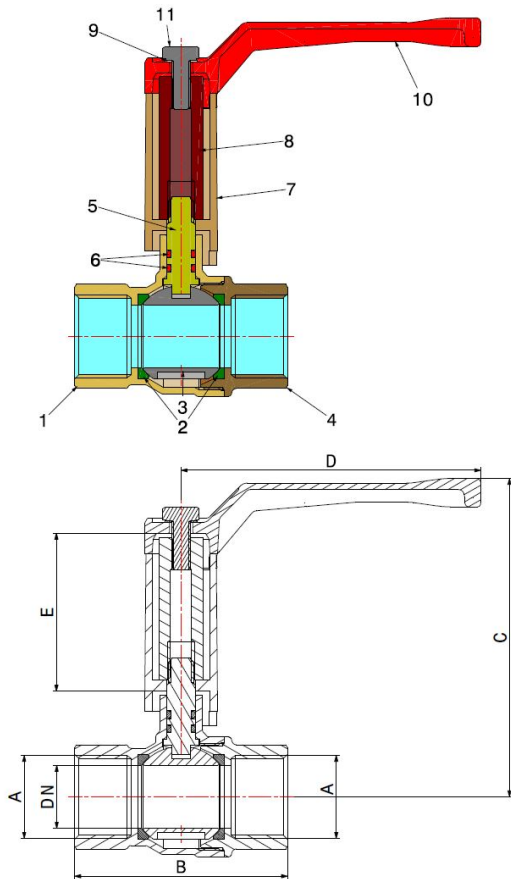


WATER BALL VALVES

MISSOURI

795402



- F/F water ball valve with thermal protection extension
- ½" – 2" thread EN 10226-1
- 2½" – 4" thread ISO 228
- Temperature range min -10°C - max +95°C

Valve suitable for distributing and interrupting liquids that are generally non-corrosive, compatibly with the valve materials. Plumbing, heating, industrial and agricultural sectors are the ideal fields of application. It's a full bore valve and the ball seal is guaranteed by two PTFE seats.

The operating mechanism seal features two O-Rings with an internally installed stem and anti-ejection system.

It is advisable to carry out a complete maneuver cycle at least once every three months in order to prevent limescale deposits that could compromise the valve functioning.

COMPONENTS

POS.	DESCRIZIONE	N°	MATERIALE
1	Body	1	CW617N UNI-EN 12165 nickel-plated
2	Seal	2	PTFE
3	Ball	1	CW617N UNI-EN 12165 chrome-plated
4	End connection	1	CW617N UNI-EN 12165 nickel-plated
5	Stem	1	CW617N UNI-EN 12164
6	O-Ring	2	NBR
7	Extension	1	CW617N UNI-EN 12165 nickel-plated
8	Screw stay	1	CW617N UNI-EN 12164
9	Washer	1	Galvanised iron
10	Lever	1	Lacquered aluminium
11	Screw	1	Galvanised iron

DIMENSIONS

DN	A	B	C	D	PN	KV*
15	Rp 1/2"	59	93	92	40	10,05
20	Rp 3/4"	68	102	92	40	21,57
25	Rp 1"	80	109	115	40	49,14
32	Rp 1.1/4"	96	119	125	30	68,65
40	Rp 1.1/2"	106	131	150	30	98,83
50	Rp 2"	130	139	150	30	177,04

PRESSURE DROP see chart at the end of catalogue

DIMENSIONS - ARTICLES ON DEMAND

DN	A	B	C	D	PN	KV*
65	2.1/2"	132	159	240	20	-
80	3"	167	177	240	20	-
100	4"	200	210	240	10	-

PACKAGING

	Rp 1/2"	Rp 3/4"	Rp 1"	Rp 1.1/4"	Rp 1.1/2"	Rp 2"	2.1/2"	3"	4"
CODE	79540204	79540206	79540208	79540210	79540211	79540213	79540215	79540217	79540219
PCS BOX	8	8	4	-	-	-	-	-	-
PCS CARTON	80	80	40	15	10	10	2	1	1