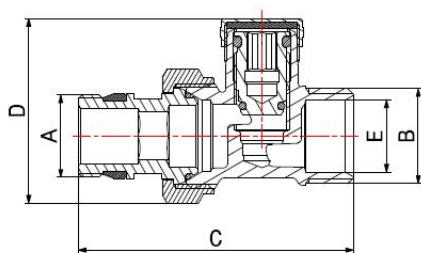
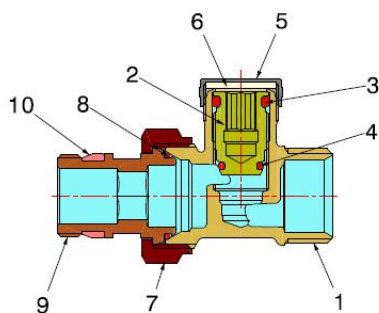
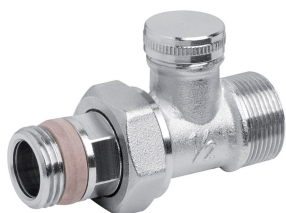


RADIATOR VALVES

LOCKSHIELD VALVE

5608E



- Male straight lockshield valve and connector with PTFE seal, with interchangeable connection for copper, plastic and multi-layer pipes
- Maximum nominal pressure 10 bar
- Temperature range min 0°C - max +95°C

Valve suitable for distributing, interrupting and regulating heat transfer fluids. Residential thermal systems are the ideal field of application. In the version with thermostatic head, the valve allows to set and automatically keep the room temperature. The seat tightness is guaranteed by a EPDM PEROX seal, particularly recommended with water-glycol solutions, with a maximum glycol presence of 50%.

COMPONENTS

POS.	PART NAME	N°	MATERIAL
1	Body	1	CW617N UNI-EN 12165 nickel-plated
2	Upper part	1	CW617N UNI-EN 12164
3	O-Ring	1	EPDM Perox
4	O-Ring	1	EPDM Perox
5	Cap	1	CW617N UNI-EN 12164 nickel-plated
6	Gasket cap	1	PVC
7	Nut	1	CW617N UNI-EN 12165 nickel-plated
8	O-Ring connector	1	EPDM Perox
9	Connector	1	CW617N UNI-EN 12164 nickel-plated
10	Ring for thread seal	1	PTFE

DIMENSIONS

A	B	C	D	E	PN
3/8"	24x19	68	51	18,1	10
1/2"	24x19	69	53	18,1	10

PACKAGING

	3/8" - 24x19	1/2" - 24x19
CODE	56080503E	56080504E
PCS BOX	15	15
PCS CARTON	150	150