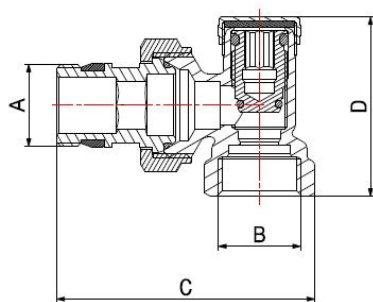
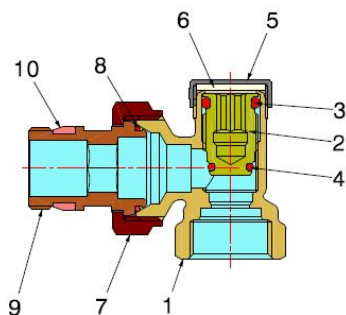


RADIATOR VALVES

**LOCKSHIELD VALVE**

5603E



- Female angle lockshield valve - connector with PTFE seal
- Maximum nominal pressure 10 bar
- Temperature range min 0°C - max +95°C

Valve suitable for distributing, interrupting and regulating heat transfer fluids. Residential thermal systems are the ideal field of application. In the version with thermostatic head, the valve allows to set and automatically keep the room temperature. The seat tightness is guaranteed by a EPDM PEROX seal, particularly recommended with water-glycol solutions, with a maximum glycol presence of 50%.

**COMPONENTS**

POS.	PART NAME	N°	MATERIAL
1	Body	1	CW617N UNI-EN 12165 nickel-plated
2	Upper part	1	CW617N UNI-EN 12164
3	O-Ring	1	EPDM Perox
4	O-Ring	1	EPDM Perox
5	Cap	1	ABS
6	Cap seal	1	NBR
7	Nut	1	CW617N UNI-EN 12165 nickel-plated
8	Connector O-Ring	1	EPDM Perox
9	Connector	1	CW617N UNI-EN 12164 nickel-plated
10	Ring for thread seal	1	PTFE

**DIMENSIONS**

A	B	C	D	PN
3/8"	3/8"	62	49	10
3/8"	1/2"	62	49	10
1/2"	3/8"	63	49	10
1/2"	1/2"	63	49	10

**PACKAGING**

	connector 3/8" - 3/8" female	connector 1/2" - 3/8" female	connector 3/8" - 1/2" female	connector 1/2" - 1/2" female
<b>CODE</b>	<b>56030303E</b>	<b>56030304E</b>	<b>56030403E</b>	<b>56030404E</b>
PCS BOX	15	15	15	15
PCS CARTON	150	150	150	150