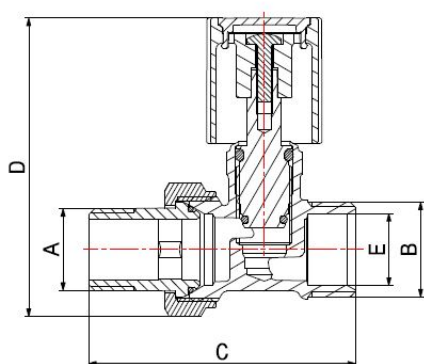
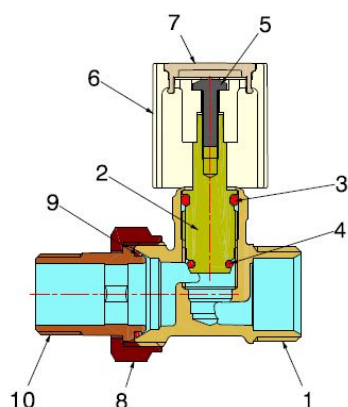


THERMOSTATIC VALVE

**RADIATOR VALVE**

5606



- Male straight radiator valve with interchangeable connection for copper, plastic and multi-layer pipes
- To be used with lockshied valve art. 5608
- Maximum nominal pressure 10 bar
- Temperature range min 0°C - max +95°C

Valve suitable for distributing, interrupting and regulating heat transfer fluids. Residential thermal systems are the ideal field of application. In the version with thermostatic head, the valve allows to set and automatically keep the room temperature. The seat tightness is guaranteed by a EPDM PEROX seal, particularly recommended with water-glycol solutions, with a maximum glycol presence of 50%.

**COMPONENTS**

POS.	PART NAME	N°	MATERIAL
1	Body	1	CW617N UNI-EN 12165 nickel-plated
2	Upper part	1	CW617N UNI-EN 12164
3	O-Ring	1	EPDM Perox
4	O-Ring	1	EPDM Perox
5	Screw	1	Galvanised iron
6	Handle	1	ABS
7	Handle cap	1	ABS
8	Nut	1	CW617N UNI-EN 12165 nickel-plated
9	Extension O-Ring	1	EPDM Perox
10	Extension	1	CW617N UNI-EN 12165 nickel-plated

**DIMENSIONS**

A	B	C	D	E	PN
3/8"	24x19	67	74	18,1	10
1/2"	24x19	67	74	18,1	10

**PACKAGING**

	3/8" - 24x19	1/2" - 24x19
<b>CODE</b>	<b>56060503</b>	<b>56060504</b>
PCS BOX	15	15
PCS CARTON	150	150