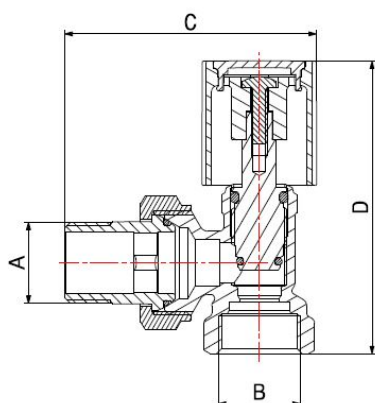
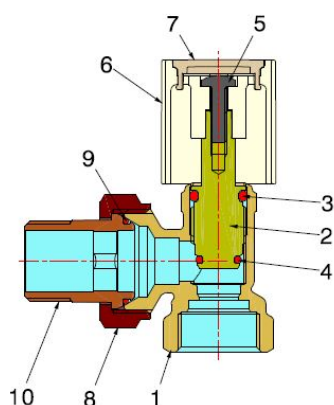


RADIATOR VALVES

RADIATOR VALVE

5601



- Female angle radiator valve
- To be used with lockshield valve art. 5603
- Maximum nominal pressure 10 bar
- Temperature range min 0°C - max +95°C

Valve suitable for distributing, interrupting and regulating heat transfer fluids. Residential thermal systems are the ideal field of application. In the version with thermostatic head, the valve allows to set and automatically keep the room temperature.

The seat tightness is guaranteed by a EPDM PEROX seal, particularly recommended with water-glycol solutions, with a maximum glycol presence of 50%.

COMPONENTS

POS.	PART NAME	N°	MATERIAL
1	Body	1	CW617N UNI-EN 12165 nickel-plated
2	Upper part	1	CW617N UNI-EN 12164
3	O-Ring	1	EPDM Perox
4	O-Ring	1	EPDM Perox
5	Screw	1	Galvanised iron
6	Handle	1	ABS
7	Handle cap	1	ABS
8	Nut	1	CW617N UNI-EN 12165 nickel-plated
9	Connector O-Ring	1	NBR
10	Connector	1	CW617N UNI-EN 12165 nickel-plated

DIMENSIONS

A	B	C	D	PN
3/8"	3/8"	63	70	10
3/8"	1/2"	63	70	10
1/2"	3/8"	63	70	10
1/2"	1/2"	63	70	10

PACKAGING

	connector 3/8" - 3/8" female	connector 1/2" - 3/8" female	connector 3/8" - 1/2" female	connector 1/2" - 1/2" female
CODE	56010303	56010304	56010403	56010404
PCS BOX	15	15	15	15
PCS CARTON	150	150	150	150