

RADIATOR VALVES

THERMOSTATIC HEAD WITH RING

56140002

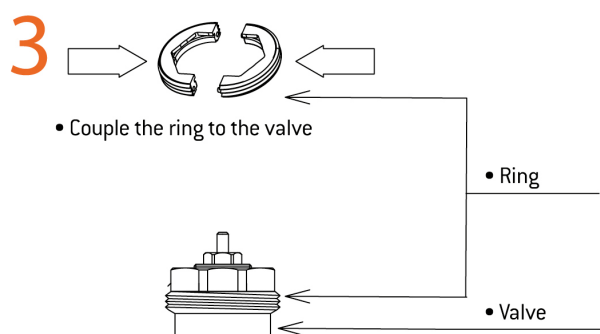
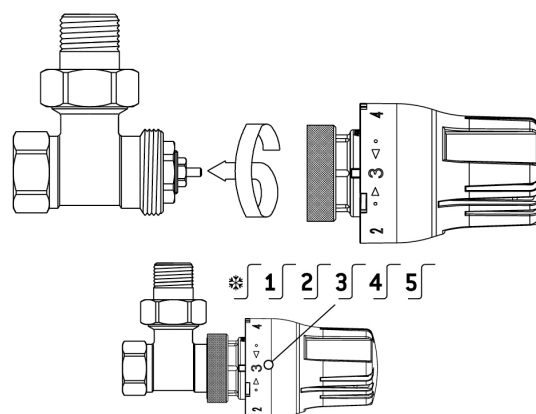
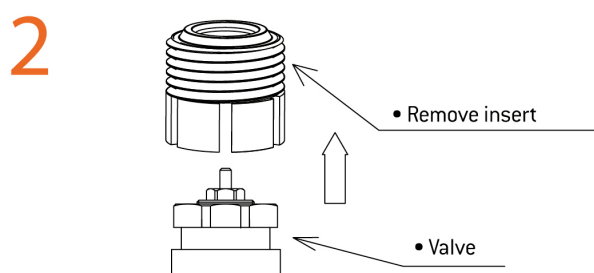
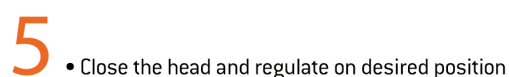
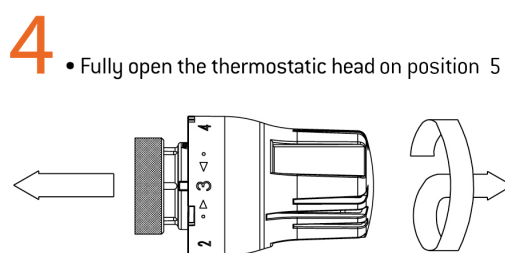
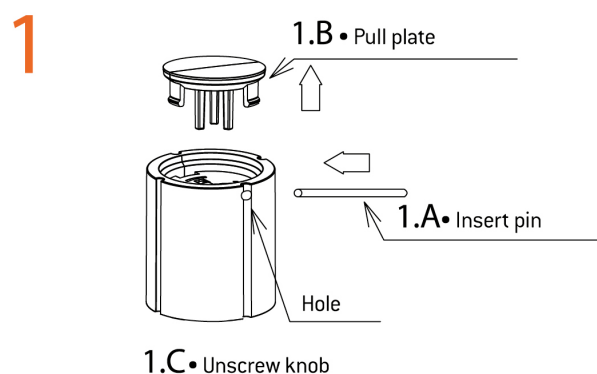
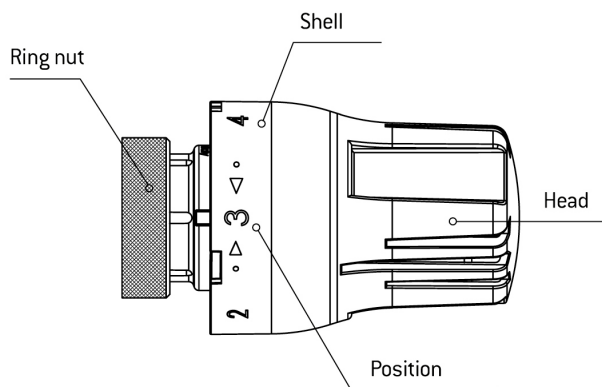
- Thermostatic head with ring and box



PACKAGING

	1/2"
CODE	56140002
PCS BOX	1
PCS CARTON	100

INSTRUCTION DISASSEMBLY HANDLE GRIP AND ASSEMBLY RING AND THERMOSTATIC HEAD



- Maximum working pressure : 10 bar
- Maximum differential pressure : 1 bar
- Maximum working temperature : 120 °c
- Maximum room temperature : 40°c
- Scale of adjustment : [] - 5 *
- Temperature range : 6-30°c
- Frost protection cut-in : 6°c
- The thermostatic head, to work correctly, has to be used only with the valves produced by Idrosanitaria Bonomi S.p.A., for those it has been calibrated.