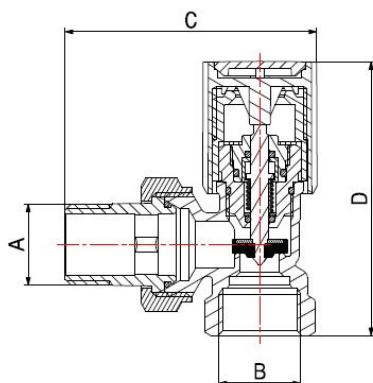
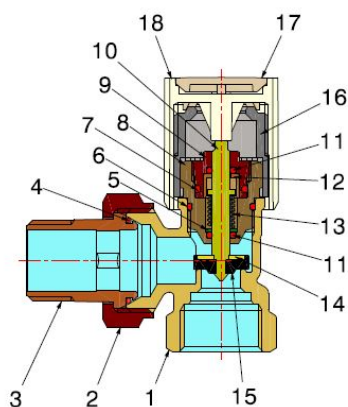


RADIATOR VALVES

THERMOSTATIC VALVE

5609



- Female angle thermostatic radiator valve
- To be used with lockshield valve art. 5603
- Maximum nominal pressure 10 bar
- Temperature range min 0°C –max+ 95°C

Valve suitable for distributing, interrupting and regulating heat transfer fluids. Residential thermal systems are the ideal field of application. In the version with thermostatic head, the valve allows to set and automatically keep the room temperature.

The seat tightness is guaranteed by a EPDM PEROX seal, particularly recommended with water-glycol solutions, with a maximum glycol presence of 50%.

COMPONENTS

POS.	PART NAME	N°	MATERIAL
1	Body	1	CW617N UNI-EN 12165 nickel-plated
2	Nut	1	CW617N UNI-EN 12165 nickel-plated
3	Connector	1	CW617N UNI-EN 12165 nickel-plated
4	Connector O-Ring	1	EPDM Perox
5	Washer	1	CW508L UNI-EN 1652
6	O-Ring	1	EPDM Perox
7	O-Ring	1	EPDM Perox
8	Upper part body	1	CW617N UNI-EN 12164
9	Ring	1	CW617N UNI-EN 12164
10	Rod	1	Stainless steel
11	O-Ring	2	EPDM Perox
12	O-Ring lock insert	1	CW617N UNI-EN 12164
13	Spring	1	AISI 302 stainless steel
14	Gasket lock washer	1	CW508L UNI-EN 1552
15	Gasket	1	EPDM Perox
16	Handle inner insert	1	POM (Hostaform ®)
17	Cap	1	ABS
18	Handle	1	ABS

DIMENSIONS

A	B	C	D	PN
3/8"	1/2"	66	68	10
1/2"	1/2"	66	68	10

PACKAGING

	3/8" - 1/2"	1/2" - 1/2"
CODE	56090403	56090404
PCS BOX	15	15
PCS CARTON	150	150