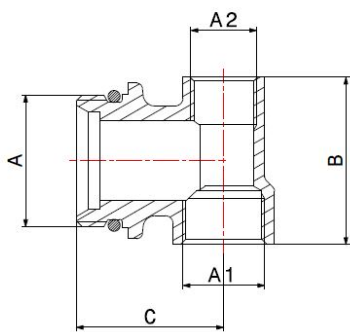
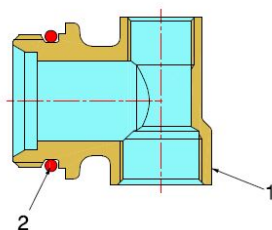


ACCESSORIES

**BRASS END COUPLING**

9616



- FxMxF tee coupling with O-Ring
- Finishing sandblasted yellow and nickel plated
- Maximum operating pressure 10 bar
- Thread ISO 228
- Temperature range min 0°C- max 95°C

**COMPONENTS**

POS.	PART NAME	N°	MATERIAL
1	Fitting	1	CW617N UNI-EN 12165
2	O-Ring	1	EPDM Perox

**DIMENSIONS**

A	A1	A2	B	C	PN
1"	1/2"	3/8"	42	37	10
3/4"	1/2"	3/8"	42	37	10

**PACKAGING**

	3/4" - 3/8" - 1/2"	1" - 3/8" - 1/2"
<b>NICKEL-PLATED</b>	<b>96161106</b>	<b>96161108</b>
<b>YELLOW</b>	<b>96160006</b>	<b>96160008</b>
PCS BOX	10	10
PCS CARTON	120	120