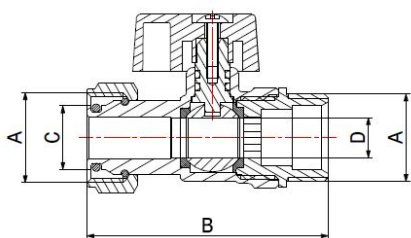
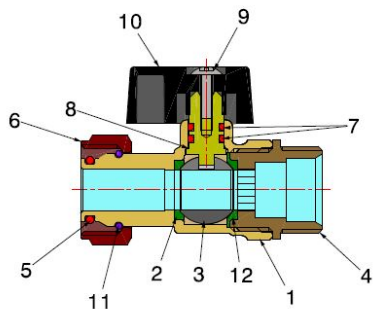


MANIFOLDS

MINI-BALL WITH SWIVEL NUT

7697



- M22x1.5 mini-ball with swivel nut
- Temperature range min -10°C - max +95°C

Valve suitable for distributing and interrupting fluids that are generally non-corrosive, compatibly with the valve materials. Plumbing plant is the ideal field of application. It's a reduced bore valve and the ball seal is guaranteed by two PTFE seats. The operating mechanism seal features two EPDM Perox O-Rings with an internally installed stem and anti-ejection system. It is advisable to carry out a complete maneuver cycle at least once every three months in order to prevent calcareous deposits that could compromise the valve functioning.

COMPONENTS

POS.	PART NAME	N°	MATERIAL
1	Body	1	CW617N UNI-EN 12164
2	Seal	1	PTFE
3	Ball	1	CW14N UNI-EN 12164 nickel-plated
4	Connection	1	CW617N UNI-EN 12164
5	Connection O-Ring	1	EPDM Perox
6	Nut	1	CW617N UNI-EN 12164
7	Stem O-Ring	2	EPDM Perox
8	Stem	1	CW617N UNI-EN 12164
9	Screw	1	CIR UNI 947-72
10	Black plastic lever	1	Glass fiber Nylon PA 6
11	Safety ring	1	AISI 302 stainless steel
12	Shaped retaining ring	1	PTFE

DIMENSIONS

A	B	C	D	PN
M22x1,5	61	16	10	10

PACKAGING

	M22x1,5
CODE	76970000N
PCS BAG	20
PCS CARTON	200