

MANIFOLDS

# MINI-BALL VALVE

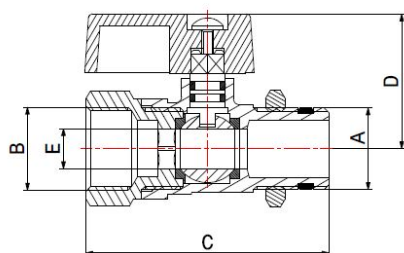
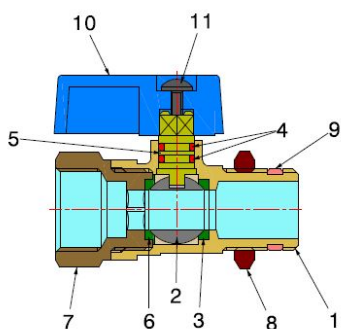
77670004B



- M/F mini-ball output for manifolds 1/2" blue handle
- Thread ISO 228
- Temperature range min 0°C - max +95°C

Valve suitable for interrupting fluids that are generally non-corrosive, compatibly with the valve materials. Plumbing and heating systems are the ideal fields of application. It's a reduced bore valve and the ball seal is guaranteed by two PTFE seats. The operating mechanism seal features two EPDM PEROX O-Rings with an internally installed stem, anti-ejection system and internal maneuver stops.

It is advisable to carry out a complete maneuver cycle at least once every three months in order to prevent calcareous deposits that could compromise the valve functioning.



### COMPONENTS

POS.	PART NAME	N°	MATERIAL
1	Body	1	CW617N UNI-EN 12165
2	Ball	1	CW617N UNI-EN 12164 chrome-plated
3	Seal	1	PTFE
4	O-Ring	2	EPDM Perox
5	Stem	1	CW617N UNI-EN 12164
6	Shaped gasket	1	PTFE
7	Ring nut 1/2"	1	CW617N UNI-EN 12165
8	Nut	1	CW617N UNI-EN 12164
9	Gasket	1	PTFE
10	Handle	1	Nylon
11	Screw	1	Steel

### DIMENSIONS

A	B	C	D	E	PN
1/2"	1/2"	60	33	10	25

### PACKAGING

	1/2" - 1/2"
<b>CODE</b>	<b>77670004B</b>
PCS BOX	20
PCS CARTON	200