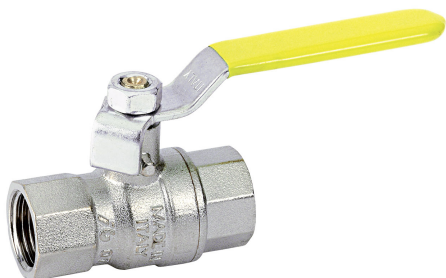


GAS BALL VALVES

**MISSOURI**

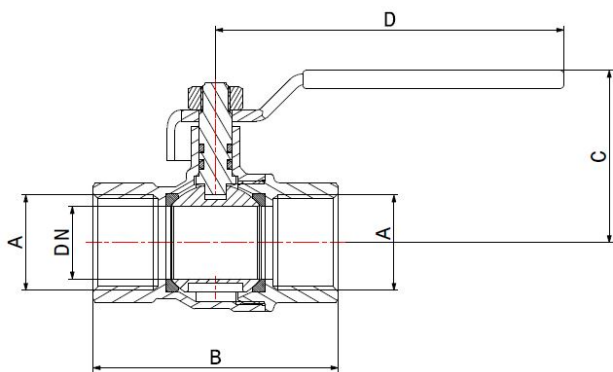
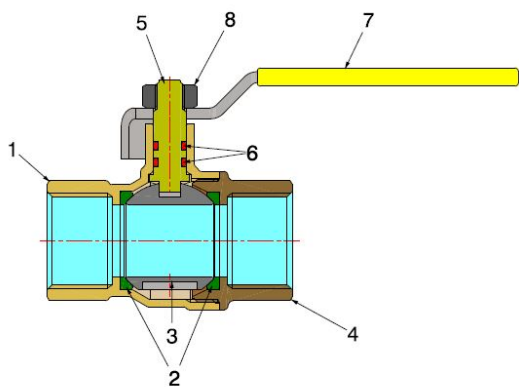
795001



- F/F gas ball valve with iron lever
- Female thread EN 10226-1
- Pressure class MOP 5
- Temperature range min -20°C- max + 60°C

Valve produced according to EN331 standard class MOP5, suitable for distributing and interrupting low pressure gases. Plumbing and heating systems and industrial sector are the ideal fields of application. It's a full bore valve and the ball seal is guaranteed by two PTFE seats.

The operating mechanism seal features two VITON® O-Rings with an internally installed stem and anti-ejection system.



**COMPONENTS**

POS	PART NAME	N°	MATERIAL
1	Body	1	CW617N UNI-EN 12165 nickel-plated
2	Seal	2	Virgin PTFE
3	Ball	1	CW617N UNI-EN 12165 chrome-plated
4	End connection	1	CW617N UNI-EN 12165 nickel-plated
5	Stem	1	CW617N UNI-EN 12164
6	O-Ring	2	VITON®
7	Lever	1	Galvanised iron and PVC coated
8	Nut	1	Galvanised iron

**DIMENSIONS**

DN	A	B	C	D
15	Rp 1/2"	59	41	95
20	Rp 3/4"	68	46	95
25	Rp 1"	80	56	120
32	Rp 1.1/4"	96	63	120
40	Rp 1.1/2"	106	80	150
50	Rp 2"	130	88	150

**PACKAGING**

	Rp 1/2"	Rp 3/4"	Rp 1"	Rp 1.1/4"	Rp 1.1/2"	Rp 2"
<b>CODE</b>	<b>79500104</b>	<b>79500106</b>	<b>79500108</b>	<b>79500110</b>	<b>79500111</b>	<b>79500113</b>
PCS BOX	12	10	8	-	-	-
PCS CARTON	120	120	72	25	16	8