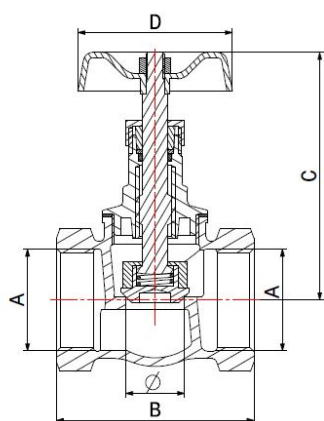
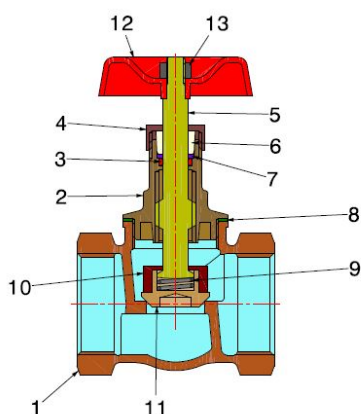


GLOBE VALVES

**BRONZE GLOBE VALVE
WITH METAL SEAT**

2100



- Globe valve with metal seat
- Thread ISO 228 - NPT on request
- Nominal pressure max PN16
- Water temperature range min 0°C - max +100°C / min +32°F - max +212°F
- Saturated steam temperature max +170°C / max +338°F

Valve suitable for distributing, regulating and interrupting liquids that could cause dezincification problems. It is especially recommended in harsh environments, such as marine ones, as long as the liquid is not salt water or with impurities that could damage the sealing.

Shipbuilding, plumbing, heating and industrial sectors are the ideal fields of application.

The seat tightness is guaranteed by a metal-to-metal seal.

COMPONENTS

POS.	PART NAME	N°	MATERIAL
1	Body	1	Bronze CC491K UNI-EN 1982:2000
2	Upper part	1	CW617N UNI-EN 12165
3	O-Ring	1	NBR
4	Nut gland	1	CW617N UNI-EN 12165
5	Stem	1	CW617N UNI-EN 12164
6	Cylinder	1	PTFE
7	Stop washer O-Ring	1	CW617N UNI-EN 12164
8	Head gasket	1	PTFE
9	Spring	1	AISI 302 stainless steel
10	Ring	1	CW617N UNI-EN 12165
11	Metal seal	1	CW617N UNI-EN 12165
12	Handwheel	1	Red lacquered iron
13	Handwheel retaining nut	1	Galvanised iron

N.B.: References 9 and 10 are not available in sizes 1/4" to 1.1/4"

DIMENSIONS MM

DN	A	B	C	D	Ø	PN
10	3/8"	50	70	50	11	16
15	1/2"	50	71	50	11	16
20	3/4"	55	77	50	13	16
25	1"	64	90	60	19	16
32	1.1/4"	73	103	60	23	16
40	1.1/2"	83	113	70	29	16
50	2"	88	132	80	36	16
65	2.1/2"	150	209	120	62	16

PACKAGING

	3/8"	1/2"	3/4"	1"	1.1/4"	1.1/2"	2"	2.1/2"
CODE	2100610C00	2100610D00	2100610E00	2100610F00	2100610G00	2100610H00	2100610I00	2100610J00
PCS BOX	12	12	8	6	-	-	-	-
PCS CARTON	96	96	64	48	50	30	20	10