

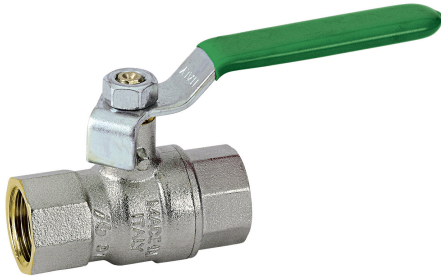
WATER BALL VALVES

IDROGREEN

797001



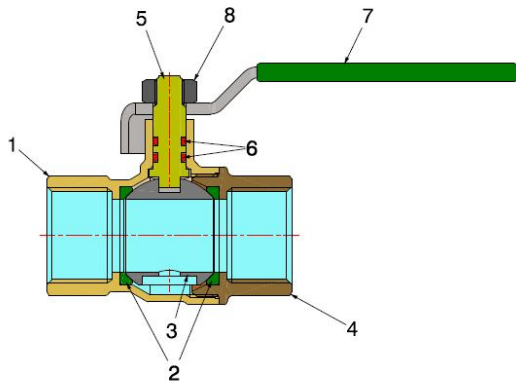
- F/F ecological ball valve
- Thread EN 10226-1
- Temperature range min 0°C - max +95°C



Valve produced according to EU standard EN13828 and suitable for distributing and interrupting water intended for human consumption. Plumbing and heating sector is the ideal field of application. It's a full bore valve and the ball seal is guaranteed by two PTFE seats. The perforated ball prevents water from stagnating inside the valve, hindering the proliferation of harmful bacteria.

The operating mechanism seal features two EPDM PEROX O-Rings with an internally installed stem and anti-ejection system.

It is advisable to carry out a complete maneuver cycle at least once every three months in order to prevent limescale deposits that could compromise the valve functioning.

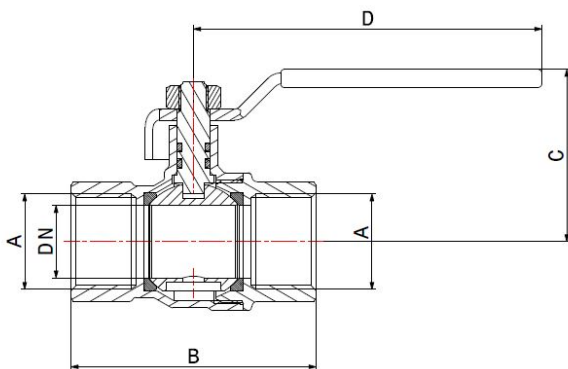


COMPONENTS

POS.	PART NAME	N°	MATERIAL
1	Body	1	CW617N UNI-EN 12165 nickel-plated
2	Seal	2	PTFE
3	Ball	1	CW617N UNI-EN 12165 chrome-plated
4	End connection	1	CW617N UNI-EN 12165 nickel-plated
5	Stem	1	CW617N UNI-EN 12164
6	O-Ring	2	EPDM Perox
7	Lever	1	Galvanised iron and PVC coated
8	Nut	1	Galvanised iron

DIMENSIONS

DN	A	B	C	D	PN
15	Rp 1/2"	59	41	95	40
20	Rp 3/4"	68	46	95	40
25	Rp 1"	80	56	120	40
32	Rp 1.1/4"	96	63	120	30
40	Rp 1.1/2"	106	80	150	30
50	Rp 2"	130	88	150	30



PACKAGING

	Rp 1/2"	Rp 3/4"	Rp 1"	Rp 1.1/4"	Rp 1.1/2"	Rp 2"
CODE	79700104	79700106	79700108	79700110	79700111	79700113
PCS BOX	12	10	8	-	-	-
PCS CARTON	120	120	72	25	16	10