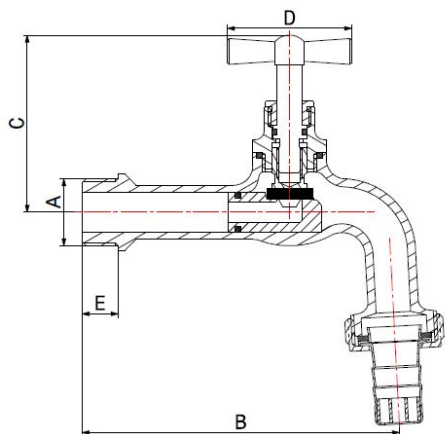
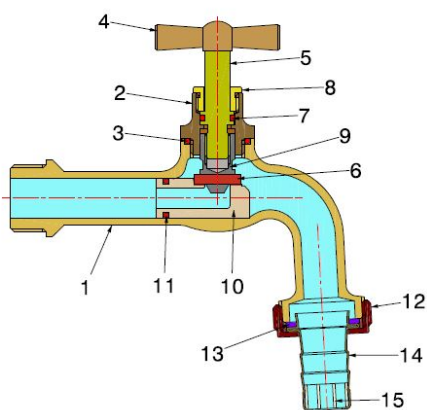


BIBCOCKS

BIBCOCK WITH HOSE-END

3712



- Bibcock with hose-end
- Thread ISO 228
- Finishing available:
 - Sandblasted chrome code 371211
 - Polished yellow code 371212
 - Polished chrome code 371213
- Temperature range min 0°C - max +90°C

Bibcock particularly suitable for distributing and collecting agents that are generally non-corrosive, compatibly with the valve materials. Other fields of application can be heating areas of water and sanitary engineering, industry, agriculture and construction. The seat tightness is guaranteed by a NBR seal.

COMPONENTS

POS.	PART NAME	N°	MATERIAL
1	Body	1	CW617N UNI-EN 12165
2	Upper part body	1	CW617N UNI-EN 12164
3	O-Ring	1	NBR
4	Handle	1	CW617N UNI-EN 12164
5	Screw	1	CW617N UNI-EN 12164
6	Gasket	1	NBR
7	O-Ring	1	NBR
8	Gland	1	CW617N UNI-EN 12164
9	Valve	1	CW617N UNI-EN 12164
10	Insert	1	Plastic (1/2" - 3/4")
11	O-Ring	1	NBR (1/2" - 3/4")
12	Swivel nut	1	CW617N UNI-EN 12165
13	Gasket	1	NBR
14	Hose connection	1	CW508L UNI-EN 1652
15	Nozzle	1	Nylon

DIMENSIONS

DN	A	B	C	D	E	PN
15	1/2"	105	68	43	12	8
20	3/4"	110	75	43	15	8
25	1"	140	80	43	17	8

PACKAGING

FINISHING	SANDBLASTED	CHROMED	-	POLISHED	YELLOW	-	POLISHED	CHROMED	-
	1/2"	3/4"	1"	1/2"	3/4"	1"	1/2"	3/4"	1"
CODE	37121104	37121106	37121108	37121204	37121206	37121208	37121304	37121306	37121308
PCS BOX	10	5	3	10	5	3	10	5	3
PCS CARTON	80	50	30	80	50	30	80	50	30