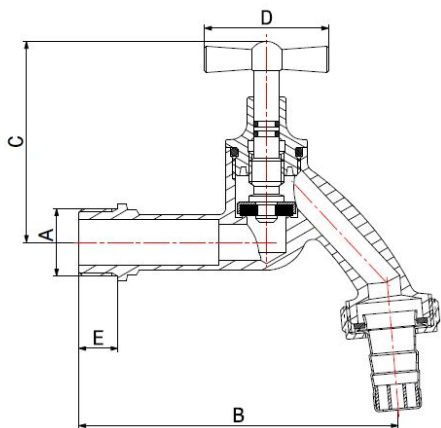
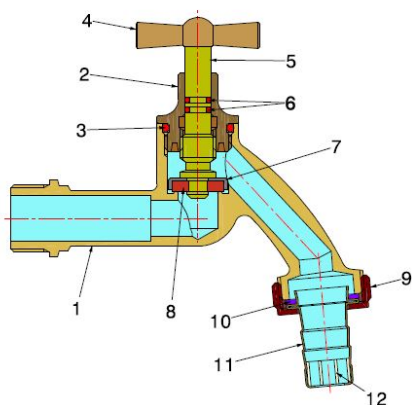


BIBCOCKS

**BIBCOCK WITH HOSE END**

3570



- Bibcock with hose-end
- Thread ISO 228
- Finishing available
- Sandblasted yellow code 357010
- Sandblasted chromed code 357011
- Polished yellow code 357012
- Polished chromed code 357013
- Temperature range min 0°C - max +90°C

Bibcock particularly suitable for distributing and collecting agents that are generally non-corrosive, compatibly with the valve materials. Other fields of application can be heating areas of water and sanitary engineering, industry, agriculture and construction.

The seat tightness is guaranteed by a NBR seal.

**COMPONENTS**

POS.	PART NAME	N°	MATERIAL
1	Body	1	CW617N UNI-EN 12165
2	Upper part body	1	CW617N UNI-EN 12164
3	O-Ring	1	NBR
4	Handle	1	CW617N UNI-EN 12164
5	Screw	1	CW617N UNI-EN 12164
6	O-Ring	2	NBR
7	Gasket holder disc	1	AISI 304 stainless steel
8	Gasket	1	NBR
9	Swivek nut	1	CW617N UNI-EN 12165
10	Gasket	1	SBR
11	Hose connection	1	CW508L UNI-EN 1652
12	Nozzle	1	Nylon

**DIMENSIONS**

DN	A	B	C open	C closed	D	E	PN
15	1/2"	100	68	61	38	12	8
20	3/4"	105	81	74	38	14	8

**PACKAGING**

FINISHING	SANDBLASTED	YELLOW	SANDBLASTED	CHROMED	POLISHED	YELLOW	POLISHED	CHROMED
	1/2"	3/4"	1/2"	3/4"	1/2"	3/4"	1/2"	3/4"
<b>CODE</b>	<b>35701004</b>	<b>35701006</b>	<b>35701104</b>	<b>35701106</b>	<b>35701204</b>	<b>35701206</b>	<b>35701304</b>	<b>35701306</b>
PCS BOX	1	1	1	1	1	1	1	1
PCS CARTON	80	50	80	50	80	50	80	50