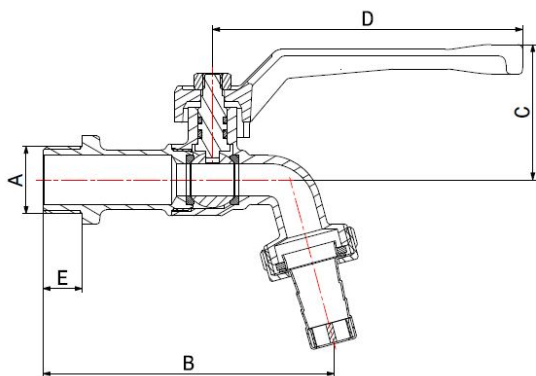
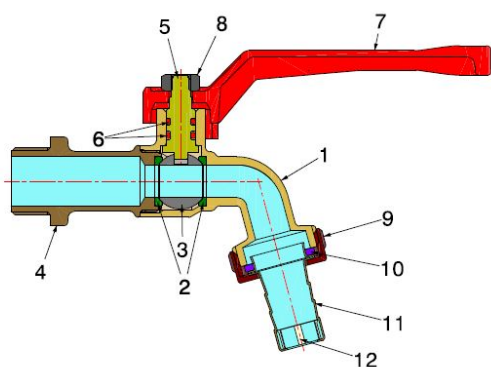


BIBCOCKS

ARNO

730002



- Bibcock with aluminium lever and hose-end
- Thread ISO 228
- Finishing nickel-plated
- Temperature range min 0°C - max +95°C

Bibcock suitable for distributing and interrupting fluids that are generally non-corrosive, compatibly with the valve materials. Plumbing, heating, industrial and agricultural sectors are the ideal fields of application.

It's a reduced bore bibcock and the ball seal is guaranteed by two PTFE seats.

The operating mechanism seal features two NBR O-Rings with an internally installed stem and anti-ejection system.

It is advisable to carry out a complete maneuver cycle at least once every three months in order to prevent limescale deposits that could compromise the valve functioning.

COMPONENTS

POS.	PART NAME	N°	MATERIAL
1	Body	1	CW617N UNI-EN 12165 nickel-plated
2	Seal	2	PTFE
3	Ball	1	CW617N UNI-EN 12165 chrome-plated
4	End connection	1	CW617N UNI-EN 12165 nickel-plated
5	Stem	1	CW617N UNI-EN 12164
6	O-Ring	2	NBR
7	Lever	1	Lacquered aluminium
8	Nut	1	Galvanised iron
9	Swivel nut	1	CW617N UNI-EN 12165 nickel-plated
10	Gasket	1	SBR
11	Hose connection	1	CW508L UNI-EN 1652 nickel-plated
12	Nozzle	1	Nylon

DIMENSIONS

DN	A	B	C	D	E	PN
15	1/2"	89	40	95	12	20
20	3/4"	102	43	95	15	20
25	1"	126	45	95	16	20

PACKAGING

	1/2"	3/4"	1"
CODE	73000204R	73000206R	73000208R
PCS BOX	12	10	6
PCS CARTON	120	100	60