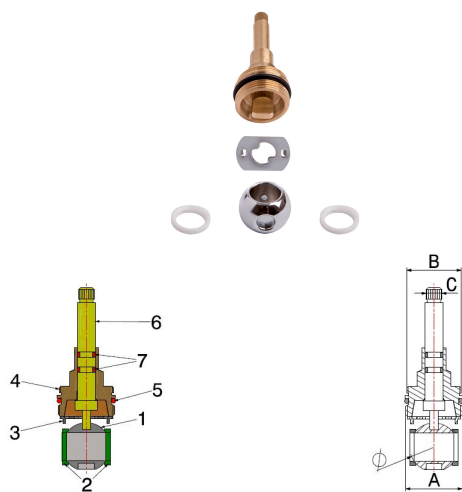


ACCESSORIES

**VALVE REPAIR KIT**

8000XF

- Repair kit for built-in valve



**COMPONENTS**

POS.	PART NAME	N°	MATERIAL
1	Ball	1	CW614N UNI-EN 12164 chrome-plated
2	Seal	2	PTFE
3	Manoeuvre retainer	1	Stainless steel
4	Upper part	1	CW617N UNI-EN 12165
5	O-Ring	1	EPDM Perox
6	Stem	1	CW614N UNI-EN 12164
7	O-Ring	2	EPDM Perox

**DIMENSIONS**

	A	B	C (Broach)	Ø (Ball size)
1/2"	28x19 Fil.	Ø27x19 Fil.	8x20	24
3/4"	35x19 Fil.	Ø27x19 Fil.	8x20	31

1/2"

3/4"

CODE

80000004XF

80000006XF