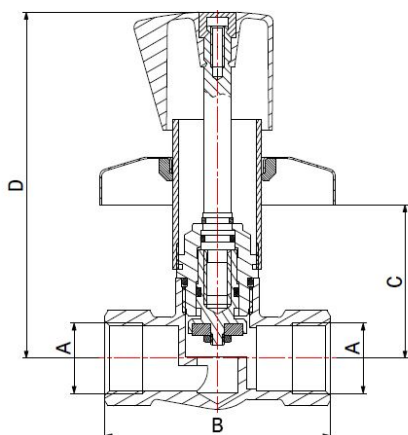
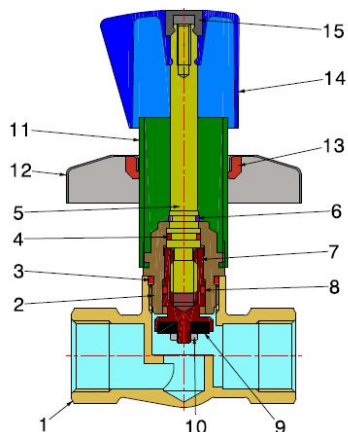


BUILT-IN TAPS

BUILT-IN TAP

3760



- Built-in tap with 3 point handle
- Female/Female thread ISO 228
- Temperature range min 0°C -max +95°C

Valve suitable for distributing, regulating and interrupting fluids that are generally non-corrosive, compatibly with the valve materials. Plumbing and heating systems are the ideal field of application, where it is used as a built-in shut-off valve.

The seat tightness is guaranteed by a NBR seal.

COMPONENTS

POS.	PART NAME	N°	MATERIAL
1	Body	1	CW617N UNI-EN 12165
2	Upper part	1	CW617N UNI-EN 12164
3	O-Ring	1	NBR
4	O-Ring	1	NBR
5	Screw	1	CW617N UNI-EN 12164
6	Snap ring	1	Phosphorous bronze
7	Valve	1	CW617N UNI-EN 12164
8	O-Ring	1	NBR
9	Gasket	1	NBR
10	Nut	1	CW617N UNI-EN 12164
11	U-bolt	1	Chromed brass
12	Rosette	1	Stainless steel
13	Rosette gasket	1	Rubber
14	Handle	1	Zama chrome-plated
15	Plate	1	Plastic

DIMENSIONS

DN	A	B	C min	C max	D	PN
15	1/2"	66	18	50	102	16
20	3/4"	65	18	50	102	16

PACKAGING

	1/2"	3/4"
CODE	37600004	37600006
PCS BOX	8	8
PCS CARTON	80	80