

BOILER DRAIN VALVES

**MALE TAPERED BOILER DRAIN VALVE**

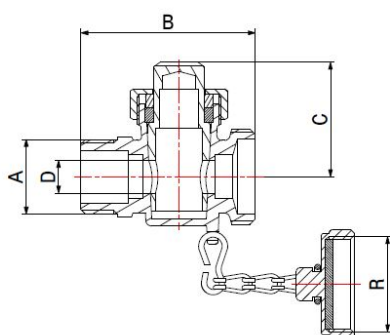
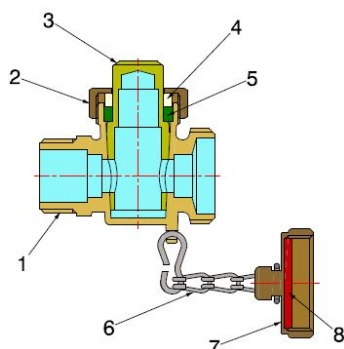
3940



- Male tapered boiler drain valve with cap and chain
- Thread ISO 228
- Finishing sandblasted yellow
- Temperature range min-10°C - max +120°C

Valve suitable for interrupting fluids that are generally non-corrosive, compatibly with the valve materials.

Plumbing and heating systems are the ideal fields of application, where this valve is used to discharge heat transfer fluids from the heating system.



**COMPONENTS**

POS.	PART NAME	N°	MATERIAL
1	Body	1	CW617N UNI-EN 12165
2	Nut	1	CW617N UNI-EN 12165
3	Cone	1	CW617N UNI-EN 12164
4	Gland	1	Plastic
5	Gasket	1	SGL Carbon
6	Chain	1	Brassed iron
7	Plug	1	CW617N UNI-EN 12165
8	Plug gasket	1	SBR

**DIMENSIONS**

DN	A	B	C	D	R	PN
10	3/8"	47	28	8	1/2"	10
15	1/2"	48	32	10	3/4"	10
20	3/4"	60	38	13,5	1"	10

**PACKAGING**

	3/8"	1/2"	3/4"
<b>CODE</b>	<b>39400003</b>	<b>39400004</b>	<b>39400006</b>
PCS BOX	1	1	1
PCS CARTON	150	150	100