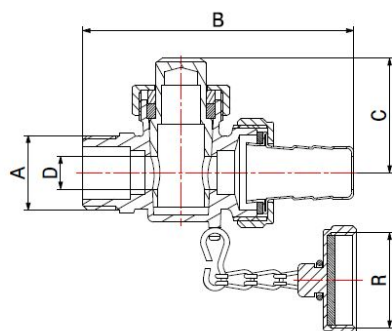
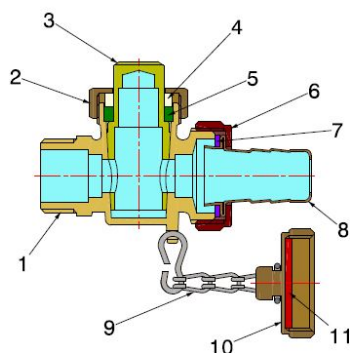


BOILER DRAIN VALVES

MALE TAPERED BOILER DRAIN VALVE

3960



- Male tapered boiler drain valve with fly nut, pipe and cap
- Finishing sandblasted yellow
- Thread ISO 228
- Temperature range min-10°C - max +120°C

Valve suitable for interrupting fluids that are generally non-corrosive, compatibly with the valve materials.

Plumbing and heating systems are the ideal fields of application, where this valve is used to discharge heat transfer fluids from the heating system.

COMPONENTS

POS.	PART NAME	N°	MATERIAL
1	Body	1	CW617N UNI-EN 12165
2	Nut	1	CW617N UNI-EN 12165
3	Cone	1	CW617N UNI-EN 12164
4	Gland	1	Plastic
5	Gasket	1	SGL Carbon
6	Swivel nut	1	CW617N UNI-EN 12165
7	Pipe gasket	1	SBR
8	Hose connection	1	CW508L UNI-EN 1652
9	Chain	1	Brassed iron
10	Plug	1	CW617N UNI-EN 12165
11	Plug gasket	1	SBR

DIMENSIONS

DN	A	B	C	D	R	PN
10	3/8"	73	28	8	1/2"	10
15	1/2"	75	32	10	3/4"	10
20	3/4"	92	38	13,5	1"	10

PACKAGING

	3/8"	1/2"	3/4"
CODE	39600003	39600004	39600006
PCS BAG	1	1	1
PCS CARTON	100	100	50