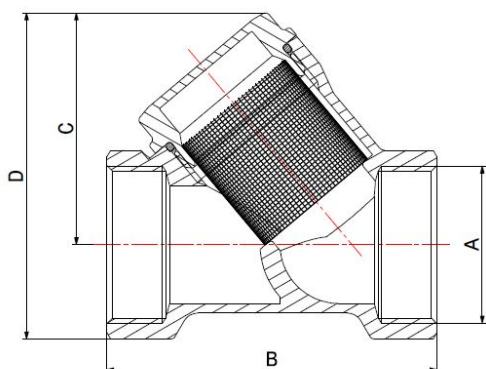
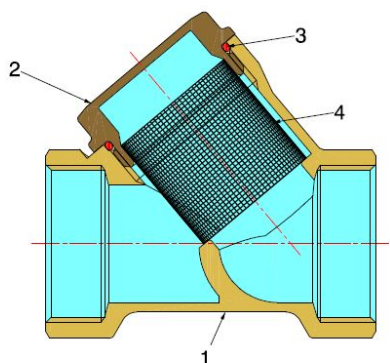


STRAINERS

**BRASS Y STRAINER**

1905



- F/F brass Y strainer
- Female/Female thread ISO 228
- Strainer with 350 micron hole - 50 Mesh
- Temperature range min 0°C - max +95°C

Valve properly used when it performs a filtration function for fluids that are generally non-corrosive, compatibly with the valve materials. Plumbing, heating, industrial, agricultural and pneumatic sectors are the ideal fields of application.

The flow direction is indicated by an arrow on the valve body, while the installation can be in horizontal or vertical position.

The seat tightness is guaranteed by a NBR seal.

**COMPONENTS**

POS.	PART NAME	N°	MATERIAL
1	Body	1	CW617N UNI-EN 12165
2	Plug	1	CW617N UNI-EN 12164 (for 3/8" and 1/2") - CW617N UNI-EN 12165 (3/4" to 2")
3	Plug gasket	1	NBR
4	Filter	1	AISI 304 stainless steel

**DIMENSIONS**

DN	A	B	C	D	PN
10	3/8"	57	34	48	16
15	1/2"	57	34	48	16
20	3/4"	66	41	58	16
25	1"	80	51	73	16
32	1.1/4"	92	62	88	16
40	1.1/2"	101	69	98	16
50	2"	121	86	121	16

**PACKAGING**

	3/8"	1/2"	3/4"	1"	1.1/4"	1.1/2"	2"
<b>CODE</b>	<b>19050003</b>	<b>19050004</b>	<b>19050006</b>	<b>19050008</b>	<b>19050010</b>	<b>19050011</b>	<b>19050013</b>
PCS BOX	15	15	10	5	-	-	-
PCS CARTON	150	150	100	50	25	20	10